

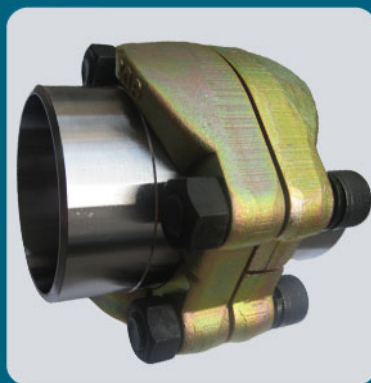
高兰液压件



GL SAE-FLANGE

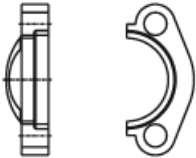
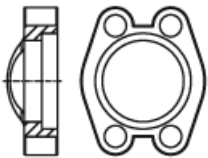
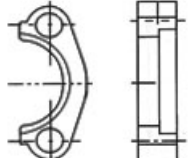
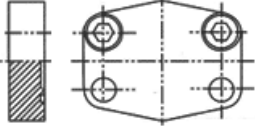
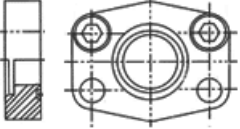
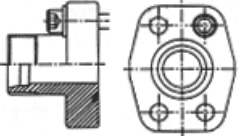
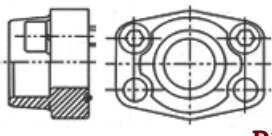
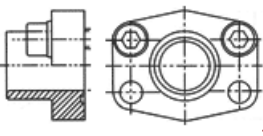
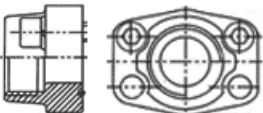
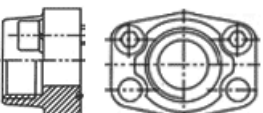
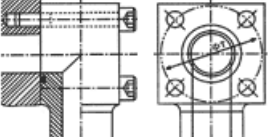
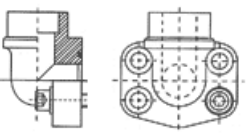
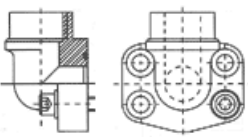
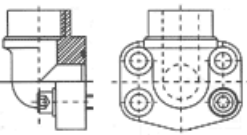
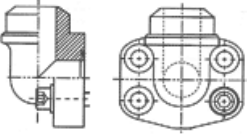
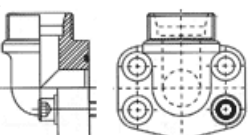
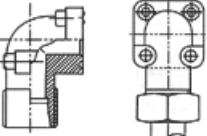
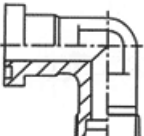
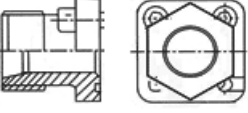
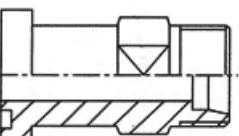
常州市高兰液压件有限公司


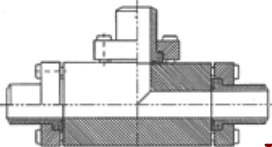
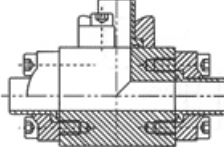
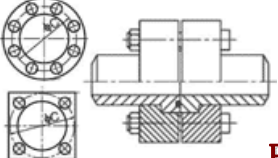
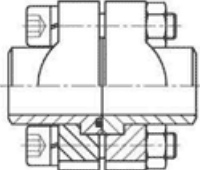
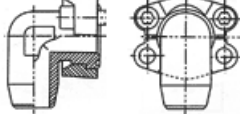
CHANGZHOU GL SAE-FLANGE CO.,LTD



WWW.SAE-FLANGE.COM

WWW.SAE-FLANGE.COM

<p>Sae split flange</p>	<p>SAE split flange halves</p>  <p>P4</p>	<p>SAE flange clamp</p>  <p>P5</p>	<p>SAE split flange halves flat</p>  <p>P6</p>
<p>Sae flange flat</p>	<p>SAE closed flange</p>  <p>P7</p>	<p>SAE flat socket weld flange</p>  <p>P9</p>	
<p>Sae boss flange</p>	<p>SAE flange with 24° cone end</p>  <p>P11</p>	<p>SAE socket weld flange</p>  <p>P12</p>	<p>SAE weld on flange</p>  <p>P14</p>
<p>SAE BSPP thread flange</p>  <p>P16</p>	<p>SAE NPT thread flange</p>  <p>P18</p>		
<p>90 degree elbow</p>	<p>Right-angle flange</p>  <p>P20</p>	<p>SAE elbow socket weld flange</p>  <p>P21</p>	<p>SAE elbow NPT thread flange</p>  <p>P22</p>
<p>SAE elbow BSPP thread flange</p>  <p>P23</p>	<p>SAE elbow weld on flange</p>  <p>P24</p>	<p>Elbow flange with 24° cone end</p>  <p>P25</p>	
<p>Sae flange adapter</p>	<p>Elbow pump flange connection</p>  <p>P26</p>	<p>Elbow SAE flange adapter</p>  <p>P27</p>	<p>Pump flange connection</p>  <p>P29</p>
<p>SAE flange adapter</p>  <p>P30</p>			

	FV Three flange  P32	SFV Three flange  P33	Flange style  P34
SAE flange components  P39	Welding couplings(90°)  P41		

Products Technical Note:

Suitable Standard: SAE J518C , JB/ZQ1487-97, ISO6162, ISO6164.

Working Pressure: Listed in the products data sheet, under normal working environment. (Working Temperature: -20℃ ~ 90℃).

Material: Welding products are made of S355J2G3 or C22 steel, others are made of C45 steel. Stainless steel flanges use AISI304 and AISI316.

Surface Treatment: Non-welding products adopt zinc planting with yellow chromate conversion coating (say, A3C craft). Zinc Thickness $\geq 8u$, can reach ISO9227 standard.

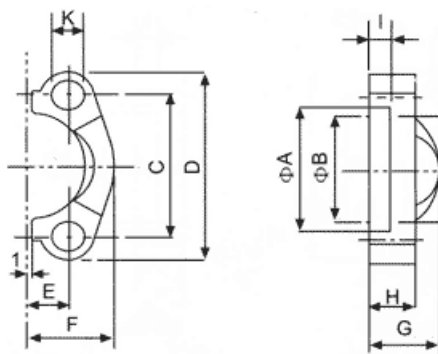
产品技术说明

适用标准: SAE J518C , JB/ZQ1487-97, ISO6162, ISO6164 。

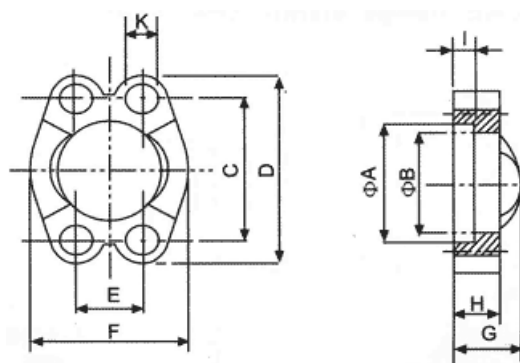
工作压力: 通常工作环境下, 产品的工作压力已在产品明细列表里列出。(工作温度: -20℃ ~ 90℃) 。

所用材料: 涉及要求焊接的产品采用 Q345B 或 20#钢, 不需要焊接的产品采用 45#钢, 不锈钢法兰采用 AISI304 和 AISI316 。

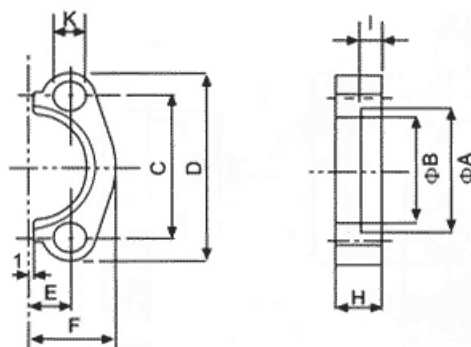
表面处理: 非焊接件产品采用镀锌并用黄色铬酸钝化的防锈工艺(通称为 A3C 工艺), 锌层厚度 $\geq 8u$, 并且达到 ISO9227 标准。



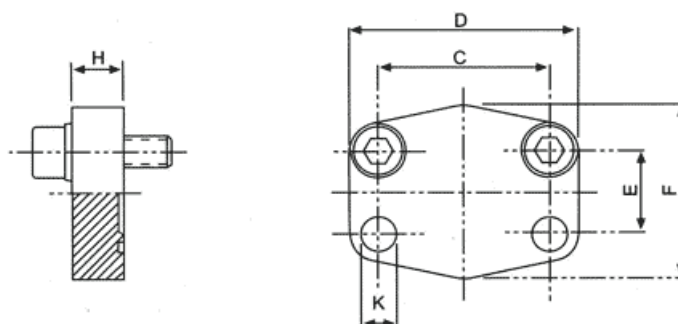
Normal Flange Size.	编号 Type	尺寸 Measurement										配用附件 Accessories		单重 kg	最大工作压力 Kg/cm ²
		A	B	C	D	E	F	G	H	I	K	M	unc		
inch		3000PSI (CODE61) SAE split flange halves													
1/2"	8DK3	31.00	24.50	38.10	54	8.75	23	19	13	6.20	8.5	M8	5/16	0.07	345
3/4"	12DK3	38.90	32.15	47.63	65	11.13	25.9	22	14.3	6.20	10.5	M10	3/8	0.10	345
1"	16DK3	45.25	38.80	52.37	70	13.08	29.2	24	16	7.50	10.5	M10	3/8	0.12	345
1-1/4"	20DK3	51.60	43.70	58.72	79	15.09	36.3	24	16	7.50	11.8	M10	7/16	0.18	276
1-1/2"	24DK3	61.10	50.80	69.85	94	17.86	41	25	16	7.50	13.3	M12	1/2	0.23	207
2"	32DK3	72.25	62.75	77.77	102	21.44	48.2	26	16	9.00	13.3	M12	1/2	0.26	207
2-1/2"	40DK3	84.95	74.95	88.90	114	25.40	54	38	19	9.00	13.3	M12	1/2	0.42	172
3"	48DK3	102.40	90.95	106.38	135	30.96	65.3	41	22	9.00	17	M16	5/8	0.68	138
3-1/2"	56DK3	115.10	102.4	120.65	152	34.92	69.5	28	22	10.7	17	M16	5/8	0.62	34
4"	64DK3	127.80	115.1	130.18	162	38.88	76	35	25	10.7	17	M16	5/8	0.85	34
5"	80DK3	153.20	140.5	152.40	184	46.04	90	41	28	10.7	17	M16	5/8	1.20	34
		6000PSI (CODE62) SAE split flange halves													
1/2"	8DK6	32.55	24.65	40.49	56	9.12	23.6	22	16	7.20	8.5	M8	5/16	0.09	414
3/4"	12DK6	42.10	32.50	50.80	71	11.91	30	28	19	8.25	10.5	M10	3/8	0.17	414
1"	16DK6	48.40	38.90	57.17	81	13.89	34.8	33	24	9.00	12.6	M12	7/16	0.26	414
1-1/4"	20DK6	54.80	44.50	66.68	95	15.88	38.6	38	27	9.80	13.3	M12	1/2	0.40	414
1-1/2"	24DK6	64.30	51.60	79.38	113	18.26	47.5	43	30	12.0	17	M16	5/8	0.68	414
2"	32DK6	80.20	67.60	96.82	133	22.23	56.9	52	37	12.0	21	M20	3/4	1.05	414
2-1/2"	40DK6	108.90	90.0	123.80	180	29.40	75	45	45	20.5	25	M24	---	2.10	414
3"	48DK6	132.50	115.0	152.40	215	35.80	99	55	55	25.5	31.5	M30	---	4.25	414



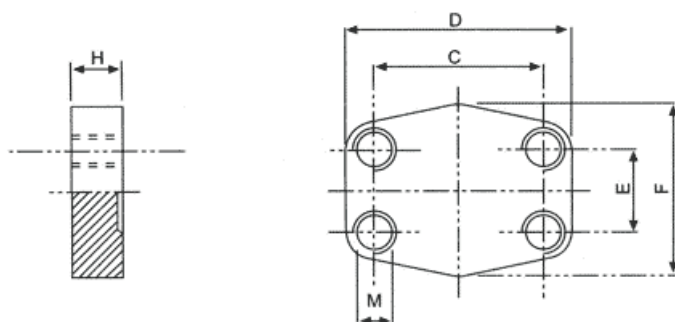
Normal Flange Size.	编号 Type	尺寸 Measurement										配用附件 Accessories		单重 kg	最大工作压力 Kg/cm ²
		A	B	C	D	E	F	G	H	I	K	M	unc		
inch		3000PSI (CODE61) SAE flange clamp													
1/2"	8DKZ3	31.00	24.50	38.10	54	17.50	46	19	13	6.20	8.5	M8	5/16	0.15	345
3/4"	12DKZ3	38.90	32.15	47.63	65	22.26	51.8	22	14.3	6.20	10.5	M10	3/8	0.21	345
1"	16DKZ3	45.25	38.80	52.37	70	26.16	58.4	24	16	7.50	10.5	M10	3/8	0.25	345
1-1/4"	20DKZ3	51.60	43.70	58.72	79	30.18	72.6	24	16	7.50	11.8	M10	7/16	0.36	276
1-1/2"	24DKZ3	61.10	50.80	69.85	94	35.72	82.2	25	16	7.50	13.3	M12	1/2	0.48	207
2"	32DKZ3	72.25	62.75	77.77	102	42.88	96.4	26	16	9.00	13.3	M12	1/2	0.52	207
2-1/2"	40DKZ3	84.95	74.95	88.90	114	50.80	108	38	19	9.00	13.3	M12	1/2	0.85	172
3"	48DKZ3	102.40	90.95	106.38	135	61.92	130.6	41	22	9.00	17	M16	5/8	1.38	138
3-1/2"	56DKZ3	115.10	102.4	120.65	152	69.84	139	28	22	10.7	17	M16	5/8	1.50	34
4"	64DKZ3	127.80	115.1	130.18	162	77.76	152	35	25	10.7	17	M16	5/8	1.70	34
5"	80DKZ3	153.20	140.5	152.40	184	92.08	180	41	28	10.7	17	M16	5/8	2.50	34
		6000PSI (CODE62) SAE flange clamp													
1/2"	8DKZ6	32.55	24.65	40.49	56	18.24	47.2	22	16	7.20	8.5	M8	5/16	0.19	414
3/4"	12DKZ6	42.10	32.50	50.80	71	23.80	60	28	19	8.25	10.5	M10	3/8	0.35	414
1"	16DKZ6	48.40	38.90	57.17	81	27.78	69.6	33	24	9.00	12.6	M12	7/16	0.54	414
1-1/4"	20DKZ6	54.80	44.50	66.68	95	31.76	77.2	38	27	9.80	13.3	M12	1/2	0.8	414
1-1/2"	24DKZ6	64.30	51.60	79.38	113	36.52	95	43	30	12.0	17	M16	5/8	1.40	414
2"	32DKZ6	80.20	67.60	96.82	133	44.46	113.8	52	37	12.0	21	M20	3/4	2.10	414
2-1/2"	40DKZ6	108.90	90.0	123.80	180	58.80	150	45	45	20.5	25	M24	---	4.30	414
3"	48DKZ6	132.50	115.0	152.40	215	71.60	198	55	55	25.5	31.5	M30	---	8.60	414



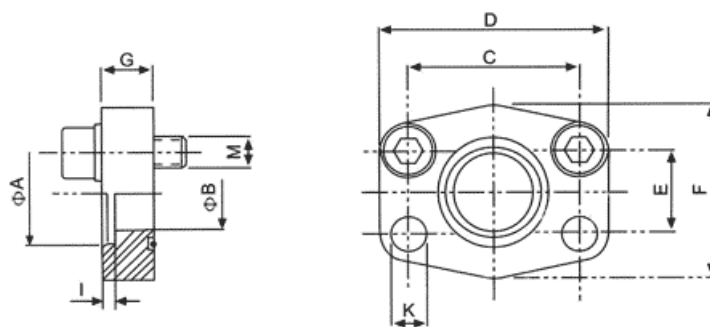
Normal Flange Size.	编号 Type	尺寸 Measurement										配用附件 Accessories		单重 kg	最大工作压力 Kg/cm ²
		A	B	C	D	E	F	H	I	K	M	unc			
inch	3000PSI (CODE61) SAE split flange flat														
1/2"	8DKP3	31.00	24.50	38.10	54	8.75	23	13	6.20	8.5	M8	5/16	0.06	345	
3/4"	12DKP3	38.90	32.15	47.63	65	11.13	25.9	14	6.20	10.5	M10	3/8	0.09	345	
1"	16DKP3	45.25	38.80	52.37	70	13.08	29.2	16	7.50	10.5	M10	3/8	0.11	345	
1-1/4"	20DKP3	51.60	43.70	58.72	79	15.09	36.3	16	7.50	10.5	M10	----	0.16	276	
1-1/2"	24DKP3	61.10	50.80	69.85	94	17.86	41	16	7.50	13.3	M12	1/2	0.22	207	
2"	32DKP3	72.25	62.75	77.77	102	21.44	48.2	16	9.00	13.3	M12	1/2	0.25	207	
6000PSI (CODE62) SAE split flange flat															
1/2"	8DKP6	32.55	24.65	40.49	56	9.12	23.6	16	7.20	8.5	M8	5/16	0.08	414	
3/4"	12DKP6	42.10	32.50	50.80	71	11.91	30	19	8.25	10.5	M10	3/8	0.16	414	
1"	16DKP6	48.40	38.90	57.17	81	13.89	34.8	24	9.00	12.6	M12	7/16	0.25	414	
1-1/4"	20DKP6	54.80	44.50	66.68	95	15.88	38.6	27	9.80	14.6	M14	----	0.38	414	
1-1/2"	24DKP6	64.30	51.60	79.38	113	18.26	47.5	30	12.0	17	M16	5/8	0.65	414	
2"	32DKP6	80.20	67.60	96.82	133	22.23	56.9	37	12.0	21	M20	3/4	1.00	414	



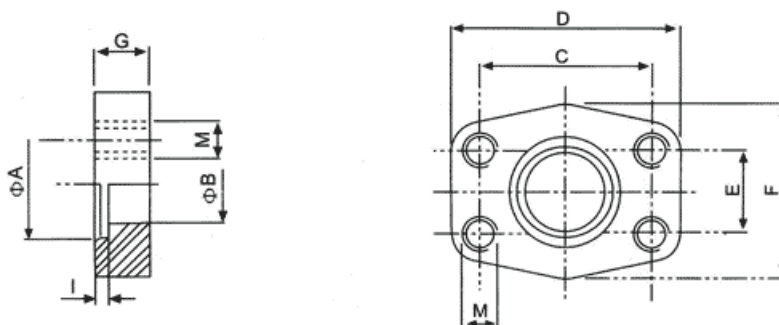
Normal Flange Size.	编号 Type	尺寸 Measurement						配用附件 Accessories		单重 kg	最大工作压力 Kg/cm ²
		C	D	E	F	H	K	螺栓 Bolt	O 型圈 O ring		
inch	3000PSI (CODE61) SAE closed flange - O ring										
1/2"	8PMT3-O	38.10	54	17.50	46	16	9	M8 x 30	18.66 x 3.53	0.20	345
3/4"	12PMT3-O	47.63	65	22.26	50	16	11	M10 x 35	25.00 x 3.53	0.30	345
1"	16PMT3-O	52.37	70	26.16	55	19	11	M10 x 35	32.92 x 3.53	0.37	345
1-1/4"	20PMT3-O	58.72	79	30.18	68	19	11.5	M10 x 40	37.70 x 3.53	0.54	276
1-1/2"	24PMT3-O	69.85	93	35.72	78	20	13.5	M12 x 45	47.22 x 3.53	0.90	207
2"	32PMT3-O	77.77	102	42.88	90	20	13.5	M12 x 45	56.75 x 3.53	1.00	207
2-1/2"	40PMT3-O	88.90	114	50.80	105	20	13.5	M12 x 45	69.45 x 3.53	1.35	172
3"	48PMT3-O	106.38	134	61.92	124	24	17	M16 x 50	85.32 x 3.53	2.35	138
6000PSI (CODE62) SAE closed flange - O ring											
1/2"	8PMT6-O	40.49	54	18.24	46	16	9	M8 x 30	18.66 x 3.53	0.20	414
3/4"	12PMT6-O	50.80	71	23.80	55	19	11	M10 x 35	25.00 x 3.53	0.48	414
1"	16PMT6-O	57.15	81	27.78	65	24	13	M12 x 45	32.92 x 3.53	0.77	414
1-1/4"	20PMT6-O	66.68	95	31.76	78	27	15	M14 x 45	37.70 x 3.53	0.85	414
1-1/2"	24PMT6-O	79.38	112	36.52	94	30	17	M16 x 45	47.22 x 3.53	1.80	414
2"	32PMT6-O	96.82	134	44.46	114	28	21	M20 x 65	56.75 x 3.53	2.00	414



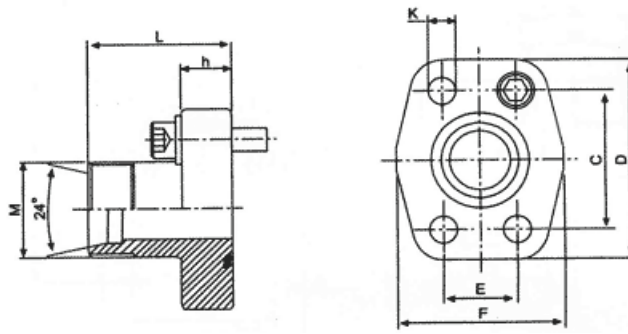
Normal Flange Size.	编号 Type	尺寸 Measurement						单重 kg	最大工作压力 Kg/cm ²
		C	D	E	F	H	M		
inch	3000PSI (CODE61) SAE closed flange companion								
1/2"	8PMT3	38.10	54	17.50	46	16	M8	0.20	345
3/4"	12PMT3	47.63	65	22.26	50	16	M10	0.30	345
1"	16PMT3	52.37	70	26.16	55	19	M10	0.37	345
1-1/4"	20PMT3	58.72	79	30.18	68	19	M10	0.54	276
1-1/2"	24PMT3	69.85	93	35.72	78	20	M12	0.90	207
2"	32PMT3	77.77	102	42.88	90	20	M12	1.00	207
2-1/2"	40PMT3	88.90	114	50.80	105	20	M12	1.35	172
3"	48PMT3	106.38	134	61.92	124	24	M16	2.35	138
6000PSI (CODE62) SAE closed flange companion									
1/2"	8PMT6	40.49	54	18.24	46	16	M8	0.20	414
3/4"	12PMT6	50.80	71	23.80	55	19	M10	0.48	414
1"	16PMT6	57.15	81	27.78	65	24	M12	0.77	414
1-1/4"	20PMT6	66.68	95	31.76	78	27	M14	0.85	414
1-1/2"	24PMT6	79.38	112	36.52	94	30	M16	1.80	414
2"	32PMT6	96.82	134	44.46	114	28	M20	2.00	414



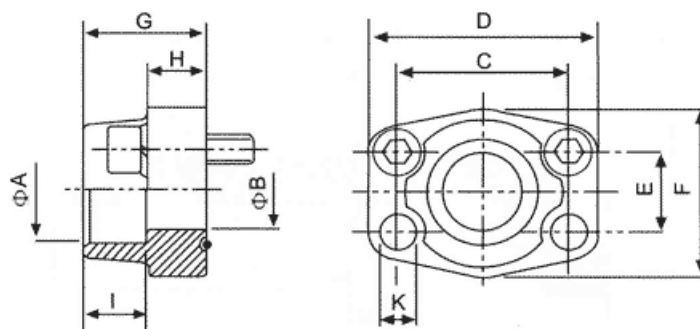
Normal Flange Size.	编号 Type	尺寸 Measurement										配用附件 Accessories		单重 kg	最大工作压力 Kg/cm ²
		Rohr	A	B	C	D	E	F	G	I	K	螺栓 Bolt	O型圈 O ring		
inch	500PSI SAE socket weld flange														
1/2"	8PHJ-O	22x2	22.5	15	38.10	54	17.50	46	10	3	9	M8x25	18.66x3.53	0.12	40
3/4"	12PHJ-O	28x2	28.5	20	47.63	65	22.26	50	12	4	11	M10x30	25.00x3.53	0.20	40
1"	16PHJ-O	35x2	35.5	29	52.37	70	26.16	55	12	4	11	M10x30	32.92x3.53	0.25	40
1-1/4"	20PHJ-O	42x2	42.5	34	58.72	79	30.18	68	12	4	11.5	M10x30	37.70x3.53	0.31	40
1-1/2"	24PHJ-O	48.3x4	49.0	42	69.85	93	35.72	78	15	4	13.5	M12x35	47.22x3.53	0.50	40
2"	32PHJ-O	60.3x4	61.0	53	77.77	102	42.88	90	15	4	13.5	M12x35	56.75x3.53	0.59	40
2-1/2"	40PHJ-O	76.1x3.6	77.0	64	88.90	114	50.80	105	15	4	13.5	M12x35	69.45x3.53	0.72	40
3"	48PHJ-O	88.9x4	90.0	80	106.38	134	61.92	124	20	5	17	M16x40	85.32x3.53	1.25	40
3-1/2"	56PHJ-O	101.6x4.5	103.0	93	120.65	152	69.84	136	20	5	17	M16x40	98.02x3.53	1.50	40
4"	64PHJ-O	114.3x4.5	115.5	105	130.18	162	77.76	146	25	6	17	M16x45	110.72x3.53	2.15	40
5"	80PHJ-O	139.7x5	141.0	126	152.40	190	92.08	170	28	8	17	M16x45	136.12x3.53	3.00	40



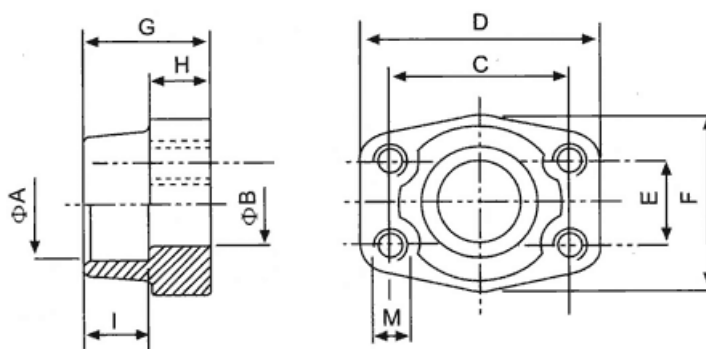
Normal Flange Size.	编号 Type	尺寸 Measurement										单重 kg	最大工作压力 Kg/cm ²	
		Rohr	A	B	C	D	E	F	G	I	M			
inch	500PSI SAE socket weld flange companion													
1/2"	8PHJ	22x2	22.5	15	38.10	54	17.50	46	10	3	M8	0.12	40	
3/4"	12PHJ	28x2	28.5	20	47.63	65	22.26	50	12	4	M10	0.20	40	
1"	16PHJ	35x2	35.5	29	52.37	70	26.16	55	12	4	M10	0.25	40	
1-1/4"	20PHJ	42x2	42.5	34	58.72	79	30.18	68	12	4	M10	0.31	40	
1-1/2"	24PHJ	48.3x4	49.0	42	69.85	93	35.72	78	15	4	M12	0.50	40	
2"	32PHJ	60.3x4	61.0	53	77.77	102	42.88	90	15	4	M12	0.59	40	
2-1/2"	40PHJ	76.1x3.6	77.0	64	88.90	114	50.80	105	15	4	M12	0.72	40	
3"	48PHJ	88.9x4	90.0	80	106.38	134	61.92	124	20	5	M16	1.25	40	
3-1/2"	56PHJ	101.6x4.5	103.0	93	120.65	152	69.84	136	20	5	M16	1.50	40	
4"	64PHJ	114.3x4.5	115.5	105	130.18	162	77.76	146	25	6	M16	2.15	40	
5"	80PHJ	139.7x5	141.0	126	152.40	190	92.08	170	28	8	M16	3.00	40	



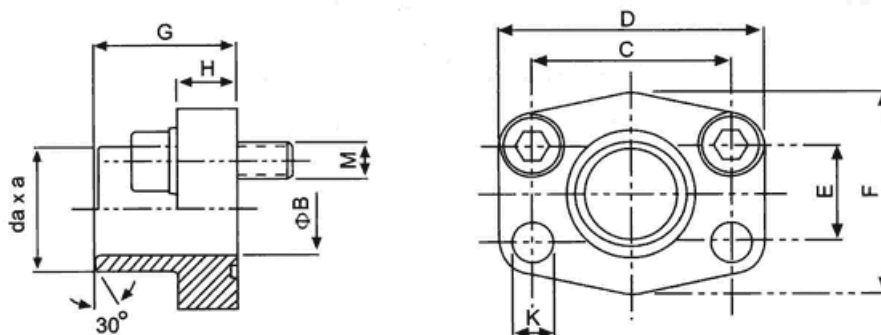
Normal Flange Size.	编号 Type	钢管规格	尺寸 Measurement								配用附件 Accessories		单重 kg	最大工作压力 Kg/cm ²
			C	D	E	F	H	K	L	M	螺栓 Bolt	O型圈 O ring		
inch	3000PSI (CODE61) SAE flange metric tapped 24° DIN 3901/390 - O ring													
1/2"	8NZLW3	15L	38.10	54	17.50	46	13	9	52	M22x1.5	M8 x 25	18.66 x 3.53	0.35	345
3/4"	12NZLW3	22L	47.63	65	22.26	50	14	11	60	M30x2.0	M10 x 30	25.00 x 3.53	0.60	250
1"	16NZLW3	28L	52.37	70	26.16	55	16	11	63	M36x2.0	M10 x 30	32.92 x 3.53	0.80	250
1-1/4"	20NZLW3	35L	58.72	79	30.18	68	16	11.5	65	M45x2.0	M10 x 30	37.70 x 3.53	1.00	250
1-1/2"	24NZLW3	42L	69.85	93	35.72	78	16	13.5	70	M52x2.0	M12 x 35	47.22 x 3.53	1.50	200
	6000PSI (CODE62) SAE flange metric tapped 24° DIN 3901/390 - O ring													
1/2"	8NZLW6	16S	40.49	54	18.24	46	16	9	60	M24x1.5	M8 x 30	18.66 x 3.53	1.40	400
3/4"	12NZLW6	20S	50.80	71	23.80	55	19	11	73	M30x2.0	M10 x 35	25.00 x 3.53	0.80	400
1"	16NZLW6	25S	57.15	81	27.78	65	24	13	82	M36x2.0	M12 x 45	32.92 x 3.53	1.00	400
1-1/4"	20NZLW6	30S	66.68	95	31.76	78	27	15	92	M42x2.0	M14 x 50	37.70 x 3.53	1.60	400
1-1/2"	24NZLW6	38S	79.38	112	36.52	94	30	17	96	M52x2.0	M16 x 55	47.22 x 3.53	2.20	315



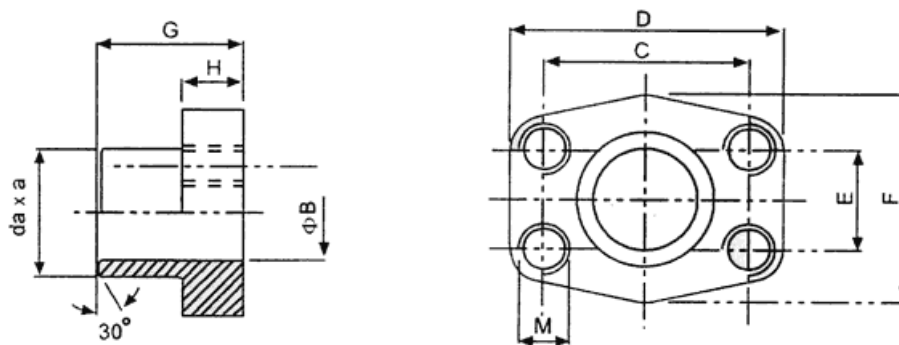
Normal Flange Size.	编号 Type	尺寸 Measurement										配用附件 Accessories		单重 kg	最大工作压力 Kg/cm ²
		A	B	C	D	E	F	G	H	I	K	螺栓 Bolt	O型圈 O ring		
inch	3000PSI (CODE61) SAE socket weld flange - O ring														
1/2"	8TCHJ3-O	21.6	13	38.10	54	17.50	46	36	16	19	9	M8x30	18.66x3.53	0.25	345
3/4"	12TCHJ3-O	27.2	19	47.63	65	22.26	50	36	18	19	11	M10x35	25.00x3.53	0.39	345
1"	16TCHJ3-O	34	25	52.37	70	26.16	55	38	18	19	11	M10x35	32.92x3.53	0.46	345
1-1/4"	20TCHJ3-O	42.8	32	58.72	79	30.18	68	41	21	22	11.5	M10x40	37.70x3.53	0.66	276
1-1/2"	24TCHJ3-O	48.6	38	69.85	93	35.72	78	45	25	24	13.5	M12x45	47.22x3.53	1.05	207
2"	32TCHJ3-O	61.0	51	77.77	102	42.88	90	45	25	26	13.5	M12x45	56.75x3.53	1.19	207
2-1/2"	40TCHJ3-O	76.6	63	88.90	114	50.80	105	50	25	30	13.5	M12x45	69.45x3.53	1.40	172
3"	48TCHJ3-O	90.5	73	106.38	134	61.92	124	50	27	34	17	M16x50	85.32x3.53	2.15	138
3-1/2"	56TCHJ3-O	103.0	89	120.65	152	69.84	136	48	27	34	17	M16x50	98.02x3.53	2.40	34
4"	64TCHJ3-O	115.5	99	130.18	162	77.76	146	48	27	34	17	M16x50	110.72x3.53	2.85	34
6000PSI (CODE62) SAE socket weld flange - O ring															
1/2"	8TCHJ6-O	21.6	13	40.49	54	18.24	46	36	16	19	9	M8x30	18.66x3.53	0.26	414
3/4"	12TCHJ6-O	27.2	19	50.80	71	23.80	55	36	21	22	11	M10x35	25.00x3.53	0.50	414
1"	16TCHJ6-O	34	25	57.15	81	27.78	65	42	25	22	13	M12x45	32.92x3.53	0.76	414
1-1/4"	20TCHJ6-O	42.8	32	66.68	95	31.76	78	45	27	25	15	M14x50	37.70x3.53	1.20	414
1-1/2"	24TCHJ6-O	48.6	38	79.38	112	36.52	94	50	30	28	17	M16x55	47.22x3.53	1.65	414
2"	32TCHJ6-O	61.0	51	96.82	134	44.46	114	65	37	32	21	M20x70	56.75x3.53	2.45	414



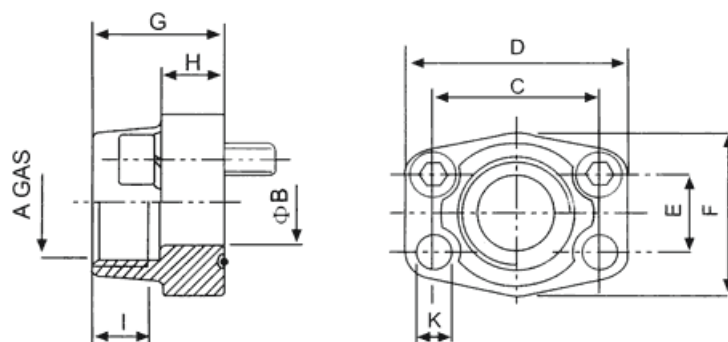
Normal Flange Size.	编号 Type	尺寸 Measurement										单重 kg	最大工作压力 Kg/cm ²	
		A	B	C	D	E	F	G	H	I	M			
inch	3000PSI (CODE61) SAE socket weld flange companion													
1/2"	8TCHJ3	21.6	13	38.10	54	17.50	46	36	16	19	M8	0.25	345	
3/4"	12TCHJ3	27.2	19	47.63	65	22.26	50	36	18	19	M10	0.39	345	
1"	16TCHJ3	34	25	52.37	70	26.16	55	38	18	19	M10	0.46	345	
1-1/4"	20TCHJ3	42.8	32	58.72	79	30.18	68	41	21	22	M10	0.66	276	
1-1/2"	24TCHJ3	48.6	38	69.85	93	35.72	78	45	25	24	M12	1.05	207	
2"	32TCHJ3	61.0	51	77.77	102	42.88	90	45	25	26	M12	1.19	207	
2-1/2"	40TCHJ3	76.6	63	88.90	114	50.80	105	50	25	30	M12	1.40	172	
3"	48TCHJ3	90.5	73	106.38	134	61.92	124	50	27	34	M16	2.15	138	
3-1/2"	56TCHJ3	103.0	89	120.65	152	69.84	136	48	27	34	M16	2.40	34	
4"	64TCHJ3	115.5	99	130.18	162	77.76	146	48	27	34	M16	2.85	34	
6000PSI (CODE62) SAE socket weld flange companion														
1/2"	8TCHJ6	21.6	13	40.49	54	18.24	46	36	16	19	M8	0.26	414	
3/4"	12TCHJ6	27.2	19	50.80	71	23.80	55	36	21	22	M10	0.50	414	
1"	16TCHJ6	34	25	57.15	81	27.78	65	42	25	22	M12	0.76	414	
1-1/4"	20TCHJ6	42.8	32	66.68	95	31.76	78	45	27	25	M14	1.20	414	
1-1/2"	24TCHJ6	48.6	38	79.38	112	36.52	94	50	30	28	M16	1.65	414	
2"	32TCHJ6	61.0	51	96.82	134	44.46	114	65	37	32	M20	2.45	414	



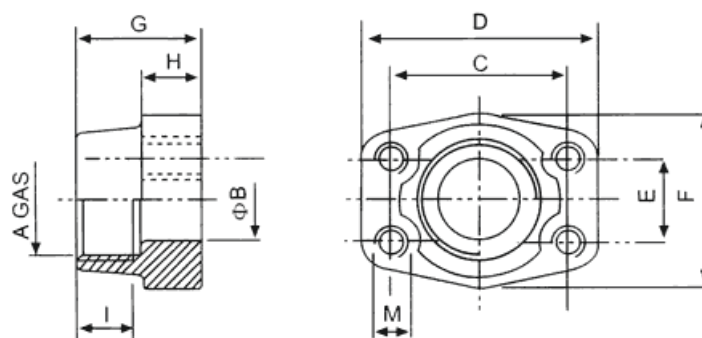
Normal Flange Size.	编号 Type	尺寸 Measurement								配用附件 Accessories		单重 kg	最大工作压力 Kg/cm ²	
		da x a	C	D	E	F	G	H	K	螺栓 Bolt	O 型圈 O ring			
inch	3000PSI (CODE61) SAE weld on flange – O ring													
1/2"	8TDH3-O	16×2.5 21.6×4.3	20×3	38.10	54	17.50	46	36	16	9	M8x30	18.66x3.53	0.28	345
3/4"	12TDH3-O	25×3 28×4.5	26.9×3.6	47.63	65	22.26	50	36	18	11	M10x35	25.00x3.53	0.39	345
1"	16TDH3-O	30×4- 34×4.5	33.7×3.6 35×4	52.37	70	26.16	55	38	18	11	M10x35	32.92x3.53	0.46	345
1-1/4"	20TDH3-O	38×4 42.8×5.5	42.4×3.6	58.72	79	30.18	68	41	21	11.5	M10x40	37.70x3.53	0.66	276
1-1/2"	24TDH3-O	42.4×4 48.6×5.5	48.3×4	69.85	93	35.72	78	45	25	13.5	M12x45	47.22x3.53	1.05	207
2"	32TDH3-O	60.3×4 61×5.5		77.77	102	42.88	90	45	25	13.5	M12x45	56.75x3.53	1.09	207
2-1/2"	40TDH3-O	76.1×4 77×7.1		88.90	114	50.80	105	50	25	13.5	M12x45	69.45x3.53	1.40	172
3"	48TDH3-O	76.1×4 89×4	76.1×7.1 92×9	106.38	135	61.92	124	50	27	17	M16x50	85.32x3.53	2.15	138
3-1/2"	56TDH3-O	89×4 103×7		120.65	152	69.84	136	48	27	17	M16x50	98.02x3.53	2.40	34
4"	64TDH3-O	114.3×4 115.5×8		130.18	162	77.76	146	48	27	17	M16x50	110.72x3.53	2.85	34
6000PSI (CODE62) SAE weld on flange – O ring														
1/2"	8TDH6-O	16×2.5 20×3 21.6×4.3		40.49	54	18.24	46	36	16	9	M8x30	18.66x3.53	0.35	414
3/4"	12TDH6-O	20×3 26.9×3.6 28×4.5	25×4	50.80	71	23.80	55	36	21	11	M10x35	25.00x3.53	0.65	414
1"	16TDH6-O	25×4- 33.7×7.1 34×4.5	30×5	57.15	81	27.78	65	42	25	13	M12x45	32.92x3.53	1.05	414
1-1/4"	20TDH6-O	30×5 42.4×8.8 42.8×5.5	38×6	66.68	95	31.76	78	45	27	15	M14x50	37.70x3.53	1.53	414
1-1/2"	24TDH6-O	48.3×8.8 48.6×5.5 60.3×10		79.38	112	36.52	94	50	30	17	M16x55	47.22x3.53	2.50	350
2"	32TDH6-O	60.3×10 61×5.5 76.1×12.5	61×9	96.82	134	44.46	114	65	37	21	M20x70	56.75x3.53	4.20	350



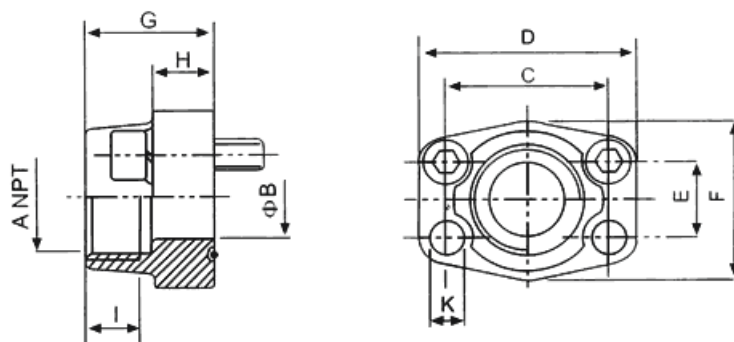
Normal Flange Size.	编号 Type	尺寸 Measurement								单重 kg	最大工作压力 Kg/cm ²	
		da x a	C	D	E	F	G	H	M			
inch	3000PSI (CODE61) SAE weld on flange companion											
1/2"	8TDH3	16×2.5 21.6×4.3	20×3	38.10	54	17.50	46	36	16	M8	0.28	345
3/4"	12TDH3	25×3 28×4.5	26.9×3.6	47.63	65	22.26	50	36	18	M10	0.39	345
1"	16TDH3	30×4 34×4.5	33.7×3.6 35×4	52.37	70	26.16	55	38	18	M10	0.46	345
1-1/4"	20TDH3	38×4 42.8×5.5	42.4×3.6	58.72	79	30.18	68	41	21	M10	0.66	276
1-1/2"	24TDH3	42.4×4 48.6×5.5	48.3×4	69.85	93	35.72	78	45	25	M12	1.05	207
2"	32TDH3	60.3×4 61×5.5		77.77	102	42.88	90	45	25	M12	1.09	207
2-1/2"	40TDH3	76.1×4 77×7.1		88.90	114	50.80	105	50	25	M12	1.40	172
3"	48TDH3	76.1×4 89×4	76.1×7.1 92×9	106.38	135	61.92	124	50	27	M16	2.15	138
3-1/2"	56TDH3	89×4 103×7		120.65	152	69.84	136	48	27	M16	2.40	34
4"	64TDH3	114.3×4 115.5×8		130.18	162	77.76	146	48	27	M16	2.85	34
6000PSI (CODE62) SAE weld on flange companion												
1/2"	8TDH6	16×2.5 21.6×4.3	20×3	40.49	54	18.24	46	36	16	M8	0.35	414
3/4"	12TDH6	20×3 26.9×3.6	25×4 28×4.5	50.80	71	23.80	55	36	21	M10	0.65	414
1"	16TDH6	25×4 33.7×7.1	30×5 34×4.5	57.15	81	27.78	65	42	25	M12	1.05	414
1-1/4"	20TDH6	30×5 42.4×8.8	38×6 42.8×5.5	66.68	95	31.76	78	45	27	M14	1.53	414
1-1/2"	24TDH6	48.3×8.8 48.6×5.5	60.3×10	79.38	112	36.52	94	50	30	M16	2.50	350
2"	32TDH6	60.3×10 61×5.5	61×9 76.1×12.5	96.82	134	44.46	114	65	37	M20	4.20	350



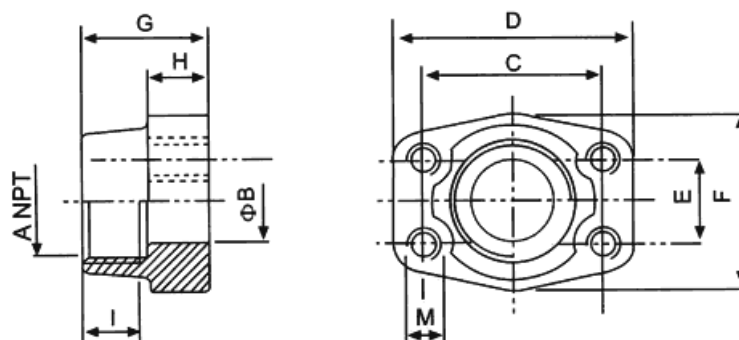
Normal Flange Size.	编号 Type	尺 寸 Measurement										配 用 附 件 Accessories		单 重 kg	最大工 作压力 Kg/cm ²
		A	B	C	D	E	F	G	H	I	K	螺栓 Bolt	O 型圈 O ring		
inch	3000PSI (CODE61) SAE pipe threaded flange - BSPP - O ring														
1/2"	8TGLW3-O	G 1/2"	13	38.10	54	17.50	46	36	16	19	9	M8x30	18.66x3.53	0.25	345
3/4"	12TGLW3-O	G 3/4"	19	47.63	65	22.26	50	36	18	19	11	M10x35	25.00x3.53	0.39	345
1"	16TGLW3-O	G 1"	25	52.37	70	26.16	55	38	18	19	11	M10x35	32.92x3.53	0.46	345
1-1/4"	20TGLW3-O	G 1-1/4"	32	58.72	79	30.18	68	41	21	22	11.5	M10x40	37.70x3.53	0.66	276
1-1/2"	24TGLW3-O	G 1-1/2"	38	69.85	93	35.72	78	45	25	24	13.5	M12x45	47.22x3.53	1.05	207
2"	32TGLW3-O	G 2"	51	77.77	102	42.88	90	45	25	26	13.5	M12x45	56.75x3.53	1.19	207
2-1/2"	40TGLW3-O	G 2-1/2"	63	88.90	114	50.80	105	50	25	30	13.5	M12x45	69.45x3.53	1.40	172
3"	48TGLW3-O	G 3"	73	106.38	134	61.92	124	50	27	34	17	M16x50	85.32x3.53	2.15	138
6000PSI (CODE62) SAE pipe threaded flange - BSPP - O ring															
1/2"	8TGLW6-O	G 1/2"	13	40.49	54	18.24	46	36	16	19	9	M8x30	18.66x3.53	0.26	414
3/4"	12TGLW6-O	G 3/4"	19	50.80	71	23.80	55	36	21	22	11	M10x35	25.00x3.53	0.50	414
1"	16TGLW6-O	G 1"	25	57.15	81	27.78	65	42	25	22	13	M12x50	32.92x3.53	0.76	414
1-1/4"	20TGLW6-O	G 1-1/4"	32	66.68	95	31.76	78	45	27	25	15	M14x50	37.70x3.53	1.20	414
1-1/2"	24TGLW6-O	G 1-1/2"	38	79.38	112	36.52	94	50	30	28	17	M16x55	47.22x3.53	1.65	414
2"	32TGLW6-O	G 2"	51	96.82	134	44.46	114	65	37	32	21	M20x70	56.75x3.53	2.45	414



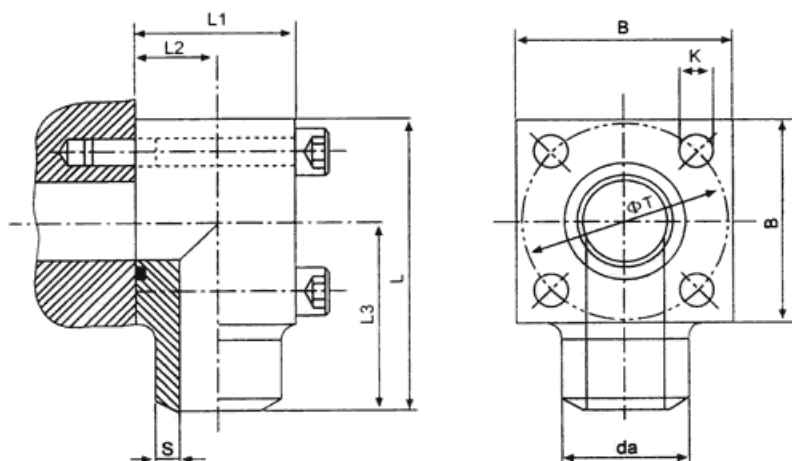
Normal Flange Size.	编号 Type	尺寸 Measurement										单重 kg	最大工作压力 Kg/cm ²	
		A	B	C	D	E	F	G	H	I	M			
inch	3000PSI (CODE61) SAE pipe threaded flange companion - BSPP													
1/2"	8TGLW3	G 1/2"	13	38.10	54	17.50	46	36	16	19	M8	0.25	345	
3/4"	12TGLW3	G 3/4"	19	47.63	65	22.26	50	36	18	19	M10	0.39	345	
1"	16TGLW3	G 1"	25	52.37	70	26.16	55	38	18	19	M10	0.46	345	
1-1/4"	20TGLW3	G 1-1/4"	32	58.72	79	30.18	68	41	21	22	M10	0.66	276	
1-1/2"	24TGLW3	G 1-1/2"	38	69.85	93	35.72	78	45	25	24	M12	1.05	207	
2"	32TGLW3	G 2"	51	77.77	102	42.88	90	45	25	26	M12	1.19	207	
2-1/2"	40TGLW3	G 2-1/2"	63	88.90	114	50.80	105	50	25	30	M12	1.40	172	
3"	48TGLW3	G 3"	73	106.38	134	61.92	124	50	27	34	M16	2.15	138	
	6000PSI (CODE62) SAE pipe threaded flange companion - BSPP													
1/2"	8TGLW6	G 1/2"	13	40.49	54	18.24	46	36	16	19	M8	0.26	414	
3/4"	12TGLW6	G 3/4"	19	50.80	71	23.80	55	36	21	22	M10	0.50	414	
1"	16TGLW6	G 1"	25	57.15	81	27.78	65	42	25	22	M12	0.76	414	
1-1/4"	20TGLW6	G 1-1/4"	32	66.68	95	31.76	78	45	27	25	M14	1.20	414	
1-1/2"	24TGLW6	G 1-1/2"	38	79.38	112	36.52	94	50	30	28	M16	1.65	414	
2"	32TGLW6	G 2"	51	96.82	134	44.46	114	65	37	32	M20	2.45	414	



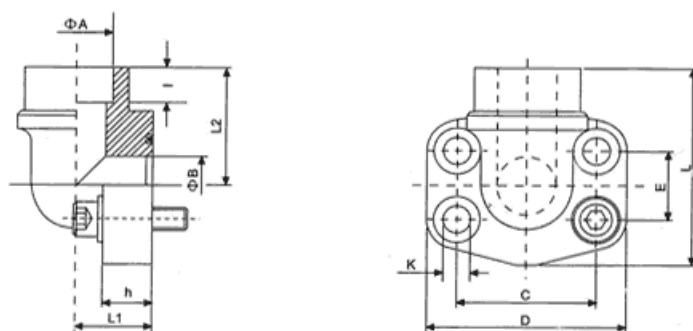
Normal Flange Size.	编号 Type	尺寸 Measurement										配用附件 Accessories		单重 kg	最大工作压力 Kg/cm ²
		A	B	C	D	E	F	G	H	I	K	螺栓 Bolt	O型圈 O ring		
inch	3000PSI (CODE61) SAE NPT threaded flange - o ring														
1/2"	8TNLW3-O	NPT 1/2"	13	38.10	54	17.50	46	36	16	19	9	M8x30	18.66x3.53	0.25	345
3/4"	12TNLW3-O	NPT 3/4"	19	47.63	65	22.26	50	36	18	19	11	M10x35	25.00x3.53	0.39	345
1"	16TNLW3-O	NPT 1"	25	52.37	70	26.16	55	38	18	19	11	M10x35	32.92x3.53	0.46	345
1-1/4"	20TNLW3-O	NPT 1-1/4"	32	58.72	79	30.18	68	41	21	22	11.5	M10x40	37.70x3.53	0.66	276
1-1/2"	24TNLW3-O	NPT 1-1/2"	38	69.85	93	35.72	78	45	25	24	13.5	M12x45	47.22x3.53	1.05	207
2"	32TNLW3-O	NPT 2"	51	77.77	102	42.88	90	45	25	26	13.5	M12x45	56.75x3.53	1.19	207
2-1/2"	40TNLW3-O	NPT 2-1/2"	63	88.90	114	50.80	105	50	25	30	13.5	M12x45	69.45x3.53	1.40	172
3"	48TNLW3-O	NPT 3"	73	106.38	134	61.92	124	50	27	34	17	M16x50	85.32x3.53	2.15	138
6000PSI (CODE62) SAE NPT threaded flange - o ring															
1/2"	8TNLW6-O	NPT 1/2"	13	40.49	54	18.24	46	36	16	19	9	M8x30	18.66x3.53	0.26	414
3/4"	12TNLW6-O	NPT 3/4"	19	50.80	71	23.80	55	36	21	22	11	M10x35	25.00x3.53	0.50	414
1"	16TNLW6-O	NPT 1"	25	57.15	81	27.78	65	42	25	22	13	M12x50	32.92x3.53	0.76	414
1-1/4"	20TNLW6-O	NPT 1-1/4"	32	66.68	95	31.76	78	45	27	25	15	M14x50	37.70x3.53	1.20	414
1-1/2"	24TNLW6-O	NPT 1-1/2"	38	79.38	112	36.52	94	50	30	28	17	M16x55	47.22x3.53	1.65	414
2"	32TNLW6-O	NPT 2"	51	96.82	134	44.46	114	65	37	32	21	M20x70	56.75x3.53	2.45	414



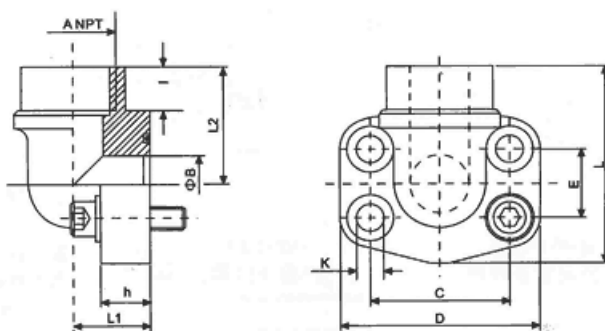
Normal Flange Size.	编号 Type	尺寸 Measurement										单重 kg	最大工作压力 Kg/cm ²
		A	B	C	D	E	F	G	H	I	M		
inch	3000PSI (CODE61) SAE NPT threaded flange companion												
1/2"	8TNLW3	NPT 1/2"	13	38.10	54	17.50	46	36	16	19	M8	0.25	345
3/4"	12TNLW3	NPT 3/4"	19	47.63	65	22.26	50	36	18	19	M10	0.39	345
1"	16TNLW3	NPT 1"	25	52.37	70	26.16	55	38	18	19	M10	0.46	345
1-1/4"	20TNLW3	NPT 1-1/4"	32	58.72	79	30.18	68	41	21	22	M10	0.66	276
1-1/2"	24TNLW3	NPT 1-1/2"	38	69.85	93	35.72	78	45	25	24	M12	1.05	207
2"	32TNLW3	NPT 2"	51	77.77	102	42.88	90	45	25	26	M12	1.19	207
2-1/2"	40TNLW3	NPT 2-1/2"	63	88.90	114	50.80	105	50	25	30	M12	1.40	172
3"	48TNLW3	NPT 3"	73	106.38	134	61.92	124	50	27	34	M16	2.15	138
6000PSI (CODE62) SAE NPT threaded flange companion													
1/2"	8TNLW6	NPT 1/2"	13	40.49	54	18.24	46	36	16	19	M8	0.26	414
3/4"	12TNLW6	NPT 3/4"	19	50.80	71	23.80	55	36	21	22	M10	0.50	414
1"	16TNLW6	NPT 1"	25	57.15	81	27.78	65	42	25	22	M12	0.76	414
1-1/4"	20TNLW6	NPT 1-1/4"	32	66.68	95	31.76	78	45	27	25	M14	1.20	414
1-1/2"	24TNLW6	NPT 1-1/2"	38	79.38	112	36.52	94	50	30	28	M16	1.65	414
2"	32TNLW6	NPT 2"	51	96.82	134	44.46	114	65	37	32	M20	2.45	414



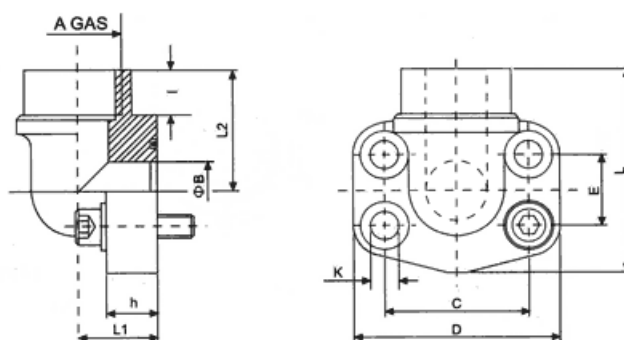
编号 Type	尺寸 Measurement								配用附件 Accessories		
	Da×s	L1	L2	L3	L	B	T	K	螺栓 Bolt	O 型圈 O ring	
90° weld on centering flange - ISO 6164 - o ring											
WDHF10	-3	16×3	29	16.5	55	80	50	44	11	M10×45	16.00×2.65
	-4	17.2×4									
WDHF12	-3	20×3	32	18.0	65	95	60	54	11	M10×50	25.00×2.65
	-4	20×4									
WDHF16	-3	21.3×3	41	23.0	65	95	60	54	11	M10×60	25.00×2.65
	-4	26.9×4.5									
WDHF20	-3	26.9×4	47	26.0	75	110	70	64	13	M12×65	32.92×3.53
	-4	33.7×5.6									
WDHF25	-3	33.7×4.5	56	30.0	90	130	80	72	13	M12×75	37.70×3.53
	-4	42.4×7.1									
WDHF32	-3	42.4×5.6	64	34.0	92	140	90	80	17	M16×85	42.50×3.53
	-4	48.3×8									
WDHF40	-3	60.3×8	76	40.0	105	155	100	98	17	M16×100	53.30×5.53
	-4	60.3×10									
WDHF50	-3	76.1×10	100	53.0	115	175	120	118	21	M20×130	61.50×5.33
	-4	76.1×12.5									
WDHF65	-3	88.9×11	115	58.0	155	230	150	145	21	M20×140	78.60×5.7
	-4	88.9×14.2									
WDHF80	-3	101.6×12.5	140	72.0	180	270	180	175	32	M30×175	88.60×5.7
	-4	114.3×17.5									



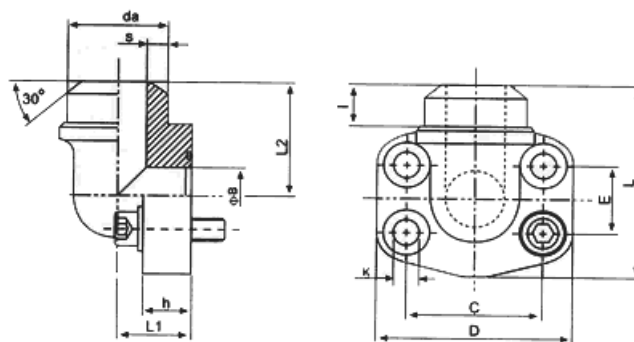
Normal Flange Size.	编号 Type	尺寸 Measurement											配用附件 Accessories		单重 kg	最大工作压力 Kg/cm ²
		A	B	C	D	E	H	I	K	L	L1	L2	螺栓 Bolt	O形圈 O ring		
Inch	300PSI (CODE61) SAE 90 degree elbow socket weld flange - O ring															
1/2"	8WCC3-O	31.6	13	38.10	54	17.50	16	10	9	60	20	37	M8x30	18.66x3.53	0.40	345
3/4"	12WCC3-O	27.2	19	47.63	65	22.26	18	10	11	63	24	38	M10x35	25.00x3.53	0.60	345
1"	16WCC3-O	34.0	25	52.37	70	26.16	19	12	11	70	28	43	M10x35	32.92x3.53	0.80	345
1-1/4"	20WCC3-O	42.8	32	58.72	79	30.18	21	14	11	85	34	51	M10x40	37.70x3.53	1.20	276
1-1/2"	24WCC3-O	48.6	38	69.85	93	35.72	25	16	13.5	95	38	55	M12x45	47.22x3.53	1.65	207
2"	32WCC3-O	61	51	77.77	102	42.88	25	18	13.5	110	42	65	M12x45	56.75x3.53	2.00	207
6000PSI (CODE62) SAE 90 degree elbow socket weld flange - O ring																
1/2"	8WCC6-O	31.6	13	40.49	54	18.24	16	10	9	60	20	37	M8x30	18.66x3.53	0.50	414
3/4"	12WCC6-O	27.2	19	50.80	70	23.80	19	12	11	70	28	43	M10x35	25.00x3.53	1.25	414
1"	16WCC6-O	34.0	25	57.15	81	27.78	21	14	13	85	34	51	M12x40	32.92x3.53	1.50	414
1-1/4"	20WCC6-O	42.8	32	66.68	95	31.76	25	16	15	95	38	56	M14x45	37.70x3.53	1.80	414
1-1/2"	24WCC6-O	48.6	38	79.38	112	36.52	25	18	17	100	42	65	M16x45	47.22x3.53	2.80	414
2"	32WCC6-O	61	51	96.82	134	44.46	29	18	21	150	60	92	M20x55	56.75x3.53	4.00	414



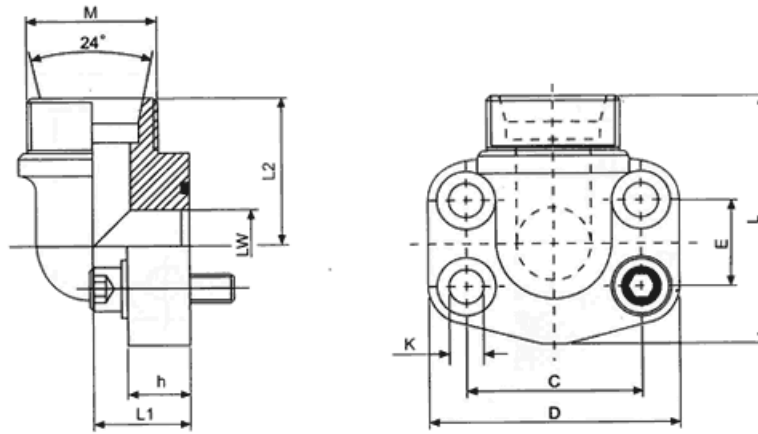
Normal Flange Size.	编号 Type	尺寸 Measurement											配用附件 Accessories		单重 kg	最大工作压力 Kg/cm ²
		A	B	C	D	E	H	I	K	L	L1	L2	螺栓 Bolt	O 型圈 O ring		
Inch	300PSI (CODE61) SAE 90 degree elbow threaded flange - NPT															
1/2"	8WNLW3	NPT 1/2"	13	38.10	54	17.50	16	19	9	60	20	37	M8x30	18.66x3.53	0.40	345
3/4"	12WNLW3	NPT 3/4"	19	47.63	65	22.26	18	19	11	63	24	38	M10x35	25.00x3.53	0.60	345
1"	16WNLW3	NPT 1"	25	52.37	70	26.16	19	20	11	70	28	43	M10x35	32.92x3.53	0.80	345
1-1/4"	20WNLW3	NPT 1-1/4"	32	58.72	79	30.18	21	22	11	85	34	51	M10x40	37.70x3.53	1.20	276
1-1/2"	24WNLW3	NPT 1-1/2"	38	69.85	93	35.72	25	25	13.5	95	38	55	M12x45	47.22x3.53	1.65	207
2"	32WNLW3	NPT 2"	51	77.77	102	42.88	25	28	13.5	110	42	65	M12x45	56.75x3.53	2.00	207
6000PSI (CODE62) SAE 90 degree elbow threaded flange - NPT																
1/2"	8WNLW6	NPT 1/2"	13	40.49	54	18.24	16	19	9	60	20	37	M8x30	18.66x3.53	0.50	414
3/4"	12WNLW6	NPT 3/4"	19	50.80	70	23.80	19	19	11	70	28	43	M10x35	25.00x3.53	1.25	414
1"	16WNLW6	NPT 1"	25	57.15	81	27.78	21	20	13	85	34	51	M12x40	32.92x3.53	1.50	414
1-1/4"	20WNLW6	NPT 1-1/4"	32	66.68	95	31.76	25	22	15	95	38	56	M14x45	37.70x3.53	1.80	414
1-1/2"	24WNLW6	NPT 1-1/2"	38	79.38	112	36.52	25	25	17	100	42	65	M16x45	47.22x3.53	2.80	414
2"	32WNLW6	NPT 2"	51	96.82	134	44.46	29	28	21	150	60	92	M20x55	56.75x3.53	4.00	414



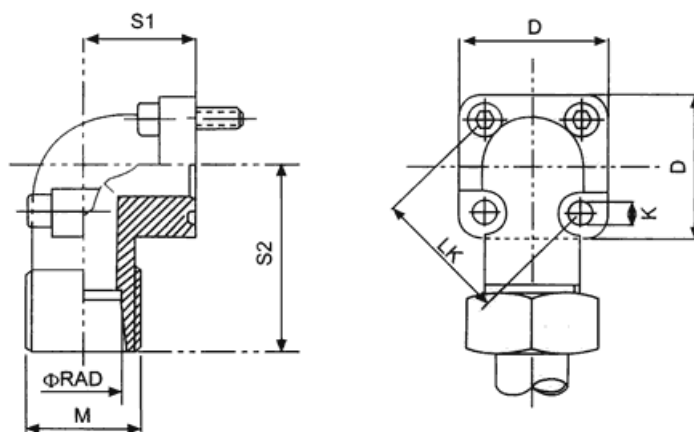
Normal Flange Size.	编号 Type	尺寸 Measurement											配用附件 Accessories		单重 kg	最大工作压力 Kg/cm ²
		A	B	C	D	E	H	I	K	L	L1	L2	螺栓 Bolt	O 型圈 O ring		
Inch	300PSI (CODE61) SAE 90 degree elbow threaded flange BSPP															
1/2"	8WGLW3	G 1/2"	13	38.10	54	17.50	16	19	9	60	20	37	M8x30	18.66x3.53	0.40	345
3/4"	12WGLW3	G 3/4"	19	47.63	65	22.26	18	19	11	63	24	38	M10x35	25.00x3.53	0.60	345
1"	16WGLW3	G 1"	25	52.37	70	26.16	19	20	11	70	28	43	M10x35	32.92x3.53	0.80	345
1-1/4"	20WGLW3	G 1-1/4"	32	58.72	79	30.18	21	22	11	85	34	51	M10x40	37.70x3.53	1.20	276
1-1/2"	24WGLW3	G 1-1/2"	38	69.85	93	35.72	25	25	13.5	95	38	55	M12x45	47.22x3.53	1.65	207
2"	32WGLW3	G 2"	51	77.77	102	42.88	25	28	13.5	110	42	65	M12x45	56.75x3.53	2.00	207
6000PSI (CODE62) SAE 90 degree elbow threaded flange BSPP																
1/2"	8WGLW6	G 1/2"	13	40.49	54	18.24	16	19	9	60	20	37	M8x30	18.66x3.53	0.50	414
3/4"	12WGLW6	G 3/4"	19	50.80	70	23.80	19	19	11	70	28	43	M10x35	25.00x3.53	1.25	414
1"	16WGLW6	G 1"	25	57.15	81	27.78	21	20	13	85	34	51	M12x40	32.92x3.53	1.50	414
1-1/4"	20WGLW6	G 1-1/4"	32	66.68	95	31.76	25	22	15	95	38	56	M14x45	37.70x3.53	1.80	414
1-1/2"	24WGLW6	G 1-1/2"	38	79.38	112	36.52	25	25	17	100	42	65	M16x45	47.22x3.53	2.80	414
2"	32WGLW6	G 2"	51	96.82	134	44.46	29	28	21	150	60	92	M20x55	56.75x3.53	4.00	414



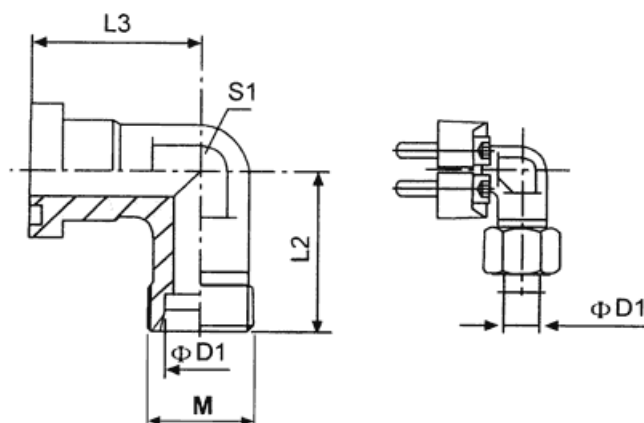
Normal Flange Size.	编号 Type	尺寸 Measurement											配用附件 Accessories		单重 kg	最大工作压力 Kg/cm ²
		A	B	C	D	E	H	I	K	L	L1	L2	螺栓 Bolt	O 型圈 O ring		
Inch	300PSI (CODE61) SAE 90 degree elbow weld on flange															
1/2"	8WDH3	G 1/2"	13	38.10	54	17.50	16	10	9	60	20	37	M8x30	18.66x3.53	0.40	345
3/4"	12WDH3	G 3/4"	19	47.63	65	22.26	18	10	11	63	24	38	M10x35	25.00x3.53	0.60	345
1"	16WDH3	G 1"	25	52.37	70	26.16	19	12	11	70	28	43	M10x35	32.92x3.53	0.80	345
1-1/4"	20WDH3	G 1-1/4"	32	58.72	79	30.18	21	14	11	85	34	51	M10x40	37.70x3.53	1.20	276
1-1/2"	24WDH3	G 1-1/2"	38	69.85	93	35.72	25	16	13.5	95	38	56	M12x45	47.22x3.53	1.65	207
2"	32WDH3	G 2"	51	77.77	102	42.88	25	18	13.5	110	42	65	M12x45	56.75x3.53	2.00	207
6000PSI (CODE62) SAE 90 degree elbow weld on flange																
1/2"	8WDH6	G 1/2"	13	40.49	54	18.24	16	10	9	60	20	37	M8x30	18.66x3.53	0.50	414
3/4"	12WDH6	G 3/4"	19	50.80	70	23.80	19	12	11	70	28	43	M10x35	25.00x3.53	1.25	414
1"	16WDH6	G 1"	25	57.15	81	27.78	21	14	13	85	34	51	M12x40	32.92x3.53	1.50	414
1-1/4"	20WDH6	G 1-1/4"	32	66.68	95	31.76	25	16	15	95	38	56	M14x45	37.70x3.53	1.80	414
1-1/2"	24WDH6	G 1-1/2"	38	79.38	112	36.52	25	18	17	100	42	65	M16x45	47.22x3.53	2.80	414
2"	32WDH6	G 2"	51	96.82	134	44.46	29	18	21	150	60	92	M20x55	56.75x3.53	4.00	414



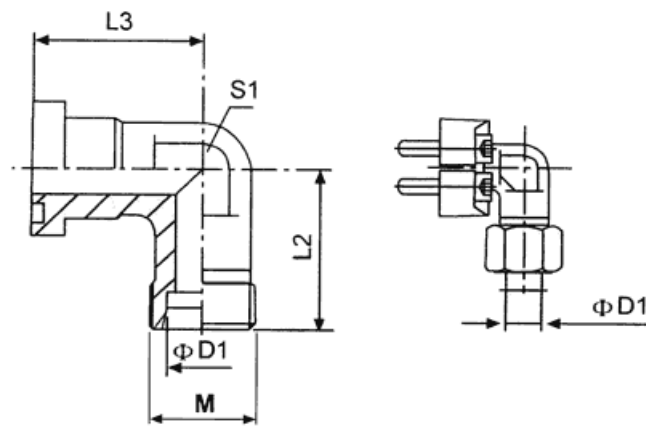
Normal Flange Size.	编号 Type	尺寸 Measurement										配用附件 Accessories		单重 kg	最大工作压力 Kg/cm ²
		钢管规格	C	D	E	H	K	L	L1	L2	M	螺栓 Bolt	O 型圈 O ring		
inch	300PSI (CODE61) SAE 90 degree elbow threaded flange 24°DIN 3901/3902														
1/2"	8WNZ3	15L	38.10	54	17.50	16	9	60	20	37	M22 x1.5	M8x30	18.66x3.53	0.40	345
3/4"	12WNZ3	22L	47.63	65	22.26	18	11	63	24	38	M20 x2.0	M10x35	25.00x3.53	0.60	345
1"	16WNZ3	28L	52.37	70	26.16	19	11	70	28	43	M36 x2.0	M10x35	32.92x3.53	0.80	345
1-1/4"	20WNZ3	35L	58.72	79	30.18	21	11	85	34	51	M45 x2.0	M10x40	37.70x3.53	1.20	276
1-1/2"	24WNZ3	42L	69.85	93	35.72	25	13.5	95	38	56	M52 x2.0	M12x45	47.22x3.53	1.65	207
6000PSI (CODE62) SAE 90 degree elbow threaded flange 24°DIN 3901/3902															
1/2"	8WNZ6	16S	40.49	54	18.24	16	9	60	20	37	M24 x1.5	M8x30	18.66x3.53	0.50	414
3/4"	12WNZ6	20S	50.80	70	23.80	19	11	70	28	43	M30 x2.0	M10x35	25.00x3.53	1.25	414
1"	16WNZ6	25S	57.15	81	27.78	21	13	85	34	51	M36 x2.0	M12x40	32.92x3.53	1.50	414
1-1/4"	20WNZ6	30S	66.68	95	31.76	25	15	95	38	56	M42 x2.0	M14x45	37.70x3.53	1.80	414
1-1/2"	24WNZ6	38S	79.38	112	36.52	25	17	100	42	65	M52 x2.0	M16x45	47.22x3.53	2.80	414



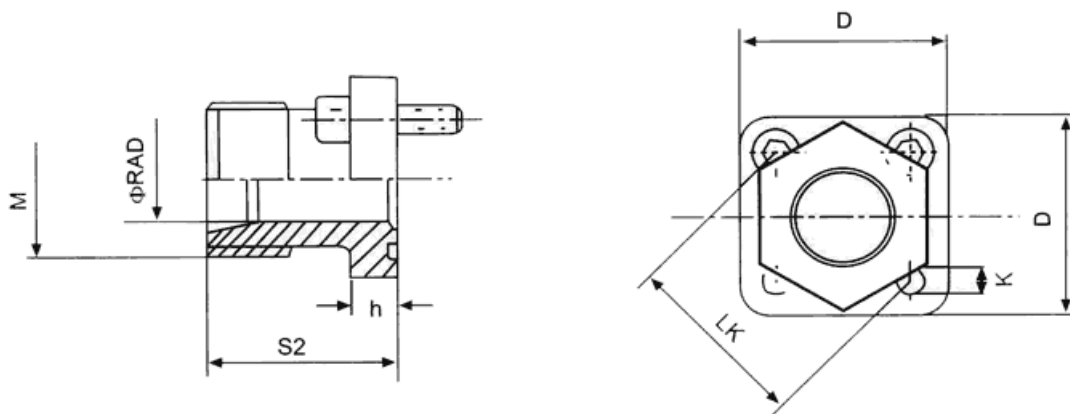
编号 Type	钢管规格 ΦRAD	尺 寸 Measurement						配 用 附 件 Accessories		最大工 作压力 Kg/cm ²
		D	K	LK	S1	S2	M	螺栓 Bolt	O 型圈 O ring	
WZ 35LK-L10	L10	39	6.5	35	16.5	38	M16×1.5	M6×22 M6×35	20×2.5	315
WZ 35LK-L12	L12	39	6.5	35	16.5	38	M18×1.5	M6×22 M6×35	20×2.5	315
WZ 35LK-L15	L15	39	6.5	35	16.5	38	M22×1.5	M6×22 M6×35	20×2.5	250
WZ 35LK-L18	L18	39	6.5	35	20.5	38	M26×1.5	M6×22 M6×40	20×2.5	250
WZ 40LK-L15	L15	42	6.5	40	22.5	38	M22×1.5	M6×22 M6×40	26×2.5	100
WZ 40LK-L18	L18	42	6.5	40	22.5	38	M26×1.5	M6×22	26×2.5	100
WZ 40LK-L22	L22	42	6.5	40	22.5	38	M30×2	M6×22	26×2.5	100
WZ 40LK-L28	L28	42	6.5	40	28	40	M36×2	M6×22 M6×50	26×2.5	100
WZ 40LK-L35	L35	42	6.5	40	34	41	M45×2	M6×22 M6×60	26×2.5	100
WZ 35LK-S16	L16	39	6.5	35	20	38	M24×1.5	M6×22 M6×40	20×2.5	315
WZ 35LK-S20	S20	39	6.5	35	25	45	M30×2	M6×22 M6×45	20×2.5	315
WZ 40LK-S20	S20	42	6.5	40	22.5	40	M30×2	M6×22 M6×45	26×2.5	250



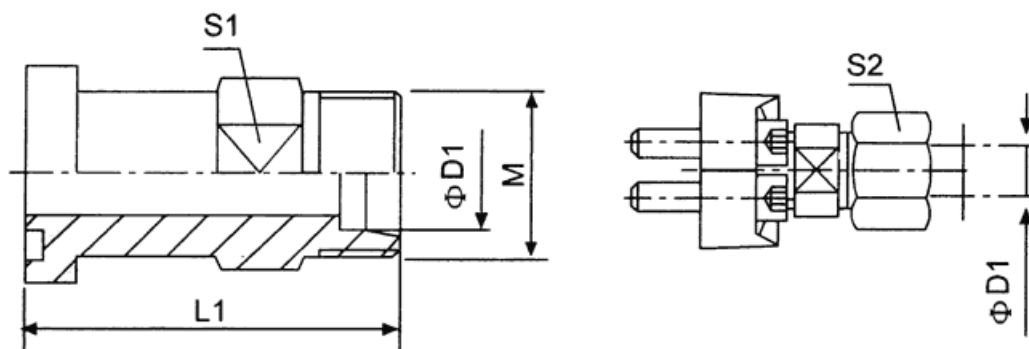
公称尺寸 Size.	接头编号 Connector No.	钢管规格 D1	配用法兰 Fitting Flange	接头体螺纹 Connector Thread M	S1	L2	L3	最大工 作压力 Kg/cm ²
1/2"	8GWZ3-15L	15L	8DK3	M22×1.5	24	38	36	315
	8GWZ3-16S	16S		M24×1.5		40		350
3/4"	12GWZ3-18L	18L	12DK3	M26×1.5	30	46	43	315
	12GWZ3-22L	22L		M30×2		46		160
	12GWZ3-20S	20S		M30×2		48		350
	12GWZ3-25S	25S		M36×2		48		350
1"	16GWZ3-28L	28L	16DK3	M36×2	36	54	48	160
	16GWZ3-25S	25S		M36×2		54		350
	16GWZ3-30S	30S		M42×2		54		350
1-1/4"	20GWZ3-35L	35L	20DK3	M45×2	41	59	53	160
	20GWZ3-25S	25S		M36×2		65		280
	20GWZ3-30S	30S		M42×2		65		280
	20GWZ3-38S	38S		M52×2		46		280
1-1/2"	24GWZ3-42L	42L	24DK3	M52×2	50	64	58	160
	24GWZ3-38S	38S		M52×2		68		210



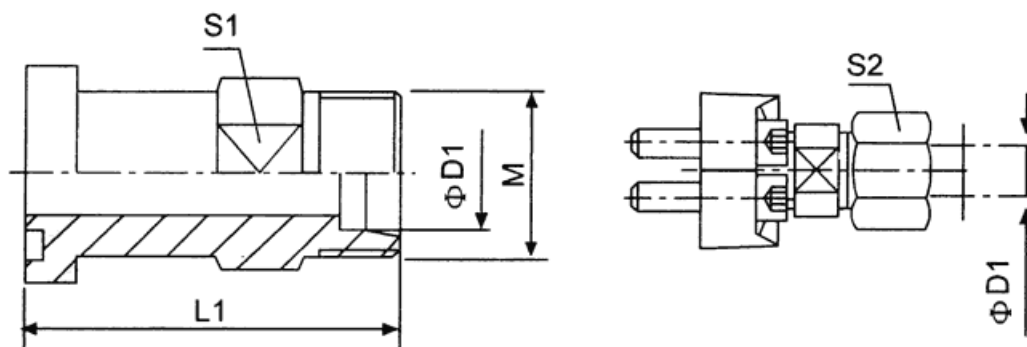
公称尺寸 Size	接头编号 Connector No.	钢管规格 D1	配用法兰 Fitting Flange	接头体螺纹 Connector Thread M	S1	L2	L3	最大工 作压力 Kg/cm ²
1/2"	8GWZ6-16S	16S	8DK6	M24×1.5	24	40	39	400
3/4"	12GWZ6-16S	16S	12DK6	M24×1.5	32	50	48	400
	12GWZ6-20S	20S		M30×2		50		
	12GWZ6-25S	25S		M36×2		50		
1"	16GWZ6-25S	25S	16DK6	M36×2	41	59	60	400
	16GWZ6-30S	30S		M42×2		59		
1-1/4"	20GWZ6-30S	30S	20DK6	M42×2	46	66	68	400
	20GWZ6-38S	38S		M52×2		66		315
1-1/2"	24GWZ6-38S	38S	24DK6	M52×2	50	75	76	315



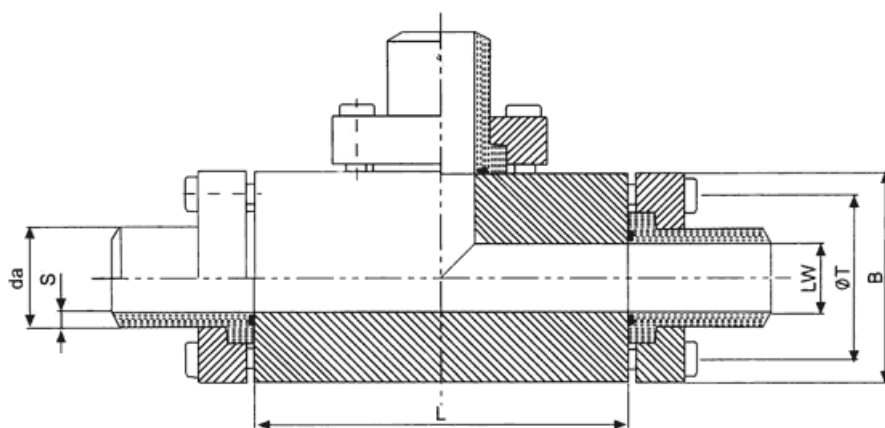
接头编号 Connector No.	钢管 规格 φRAD	尺 寸 Measurement						配 用 附 件 Accessories		最大工 作压力 Kg/cm ²
		D	h	K	LK	S2	M	螺栓 Bolt	O 型圈 O ring	
GZZ 30LK-L10	L10	36	8	6.5	30	30	M16×1.5	M6×22	20×2.5	315
GZZ 30LK-L12	L12	36	8	6.5	30	30	M18×1.5	M6×22	20×2.5	315
GZZ 35LK-L10	L10	39	8	6.5	35	30	M16×1.5	M6×22	20×2.5	315
GZZ 35LK-L12	L12	39	8	6.5	35	30	M18×1.5	M6×22	20×2.5	315
GZZ 35LK-L15	L15	39	8	6.5	35	30	M22×1.5	M6×22	20×2.5	250
GZZ 35LK-L18	L18	39	8	6.5	35	30	M26×1.5	M6×22	20×2.5	250
GZZ 40LK-L15	L15	42	8	6.5	40	35	M22×1.5	M6×22	26×2.5	100
GZZ 40LK-L18	L18	42	8	6.5	40	35	M26×1.5	M6×22	26×2.5	100
GZZ 40LK-L22	L22	42	8	6.5	40	35	M30×2	M6×22	26×2.5	100
GZZ 40LK-L28	L28	42	8	6.5	40	42	M36×2	M6×22	26×2.5	100
GZZ 35LK-S16	S16	39	8	6.5	35	30	M24×1.5	M6×22	20×2.5	315
GZZ 55LK-S20	S20	55	8	8.5	55	42	M30×2	M8×25	32×2.5	250



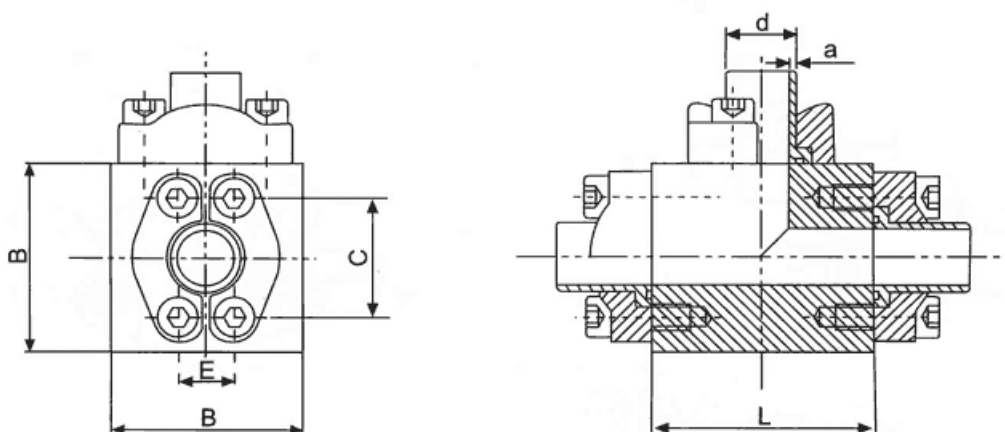
公称尺寸 Size	接头编号 Connector No.	钢管规格 D1	配用法兰 Fitting Flange	接头体螺纹 Connector Thread M	S1	L1	S2	最大工 作压力 Kg/cm ²
1/2"	8GSF3-15L	15L	8DK3	M22×1.5	24	48	27	315
	8GSF3-16S	16S		M24×1.5		50	30	350
3/4"	12GSF3-18L	18L	12DK3	M26×1.5	30	53.5	32	315
	12GSF3-22L	22L		M30×2		53.5	36	160
	12GSF3-20S	20S		M30×2		57.5	36	350
	12GSF3-25S	25S		M36×2		57.5	46	350
1"	16GSF3-28L	28L	16DK3	M36×2	36	54.5	41	160
	16GSF3-25S	25S		M36×2		58.5	46	350
	16GSF3-30S	30S		M42×2		63.5	50	350
1-1/4"	20GSF3-35L	35L	20DK3	M45×2	41	58.5	50	160
	20GSF3-25S	25S		M36×2		62	46	280
	20GSF3-30S	30S		M42×2		62	50	280
	20GSF3-38S	38S		M52×2		46	67	60
1-1/2"	24GSF3-42L	42L	24DK3	M52×2	46	64.5	60	160
	24GSF3-38S	38S		M52×2		70.5	60	210



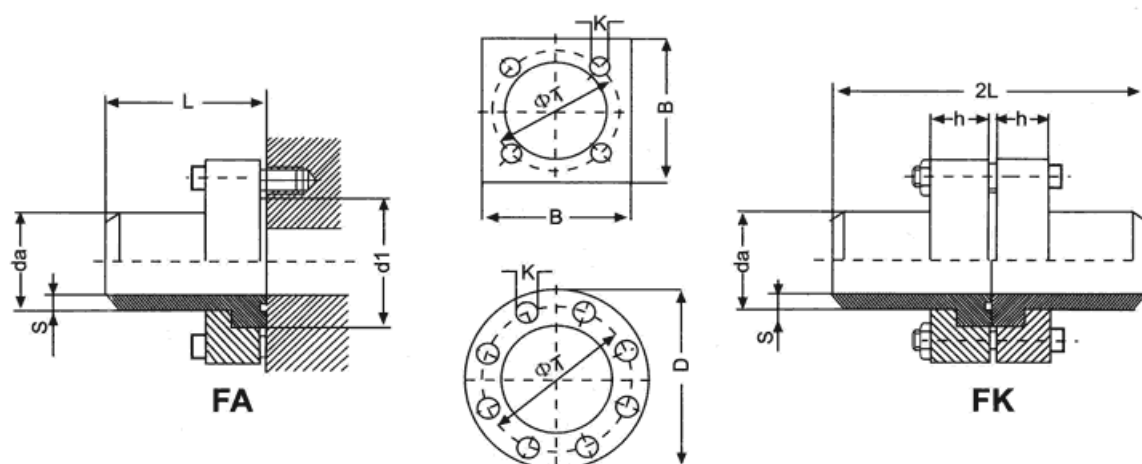
公称尺寸 Size	接头编号 Connector No.	钢管规格 D1	配用法兰 Fitting Flange	接头体螺纹 Connector Thread M	S1	L1	S2	最大工 作压力 Kg/cm ²
1/2"	8GSF6-16S	16S	8DK6	M24×1.5	24	53.5	30	400
3/4"	12GSF6-16S	16S	12DK6	M24×1.5	30	60	30	400
	12GSF6-20S	20S		M30×2		61.5	36	
	12GSF6-25S	25S		M36×2		63.5	46	
1"	16GSF6-25S	25S	16DK6	M36×2	36	72	46	400
	16GSF6-30S	30S		M42×2		74.5	50	
1-1/4"	20GSF6-30S	30S	20DK6	M42×2	41	80	50	400
	20GSF6-38S	38S		M52×2	46	83	60	315
1-1/2"	24GSF6-38S	38S	24DK6	M52×2	46	89.5	60	315



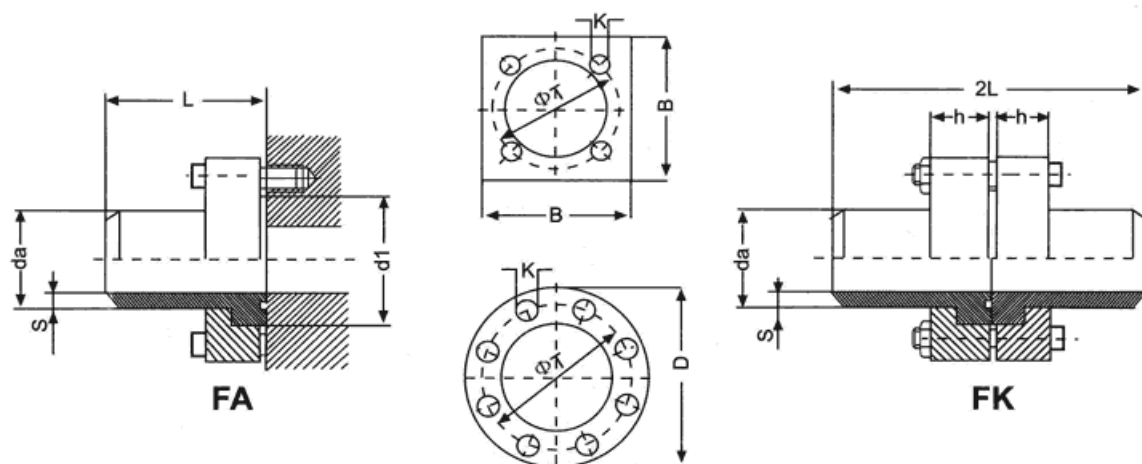
接头编号 Connector No.	da×s	B	ΦT	L	三通块重量 Kg
FV 10-3	16×2.6	50	44	97	1.6
FV 10-4	17.2×3.6				
FV 12-3	20×2.9	60	54	106	2.6
FV 12-4	20×4				
FV 16-3	21.3×2.6	60	54	106	2.6
FV 16-4	26.9×4.5				
FV 20-3	26.9×3.6	70	64	115	3.9
FV 20-4	33.7×5.6				
FV 25-3	33.7×4.5	80	72	123	5.4
FV 25-4	42.4×7.1				
FV 32-3	42.4×5.6	90	80	140	7.3
FV 32-4	48.3×8				
FV 40-3	60.3×8	100	98	160	10
FV 40-4	60.3×10				
FV 50-3	76.1×10	120	118	180	16
FV 50-4	76.1×12.5				
FV 65-3	88.9×11	150	145	200	27
FV 65-4	88.9×14.2				
FV 80-3	101.6×14.2	180	175	260	49
FV 80-4	114.3×17.5				



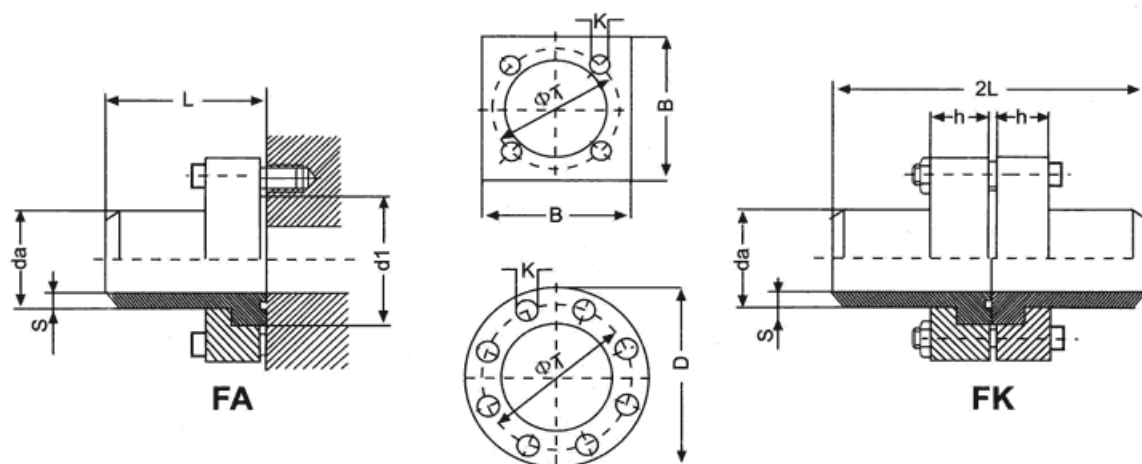
公称尺寸 Size	编号 Type	压力 Pressure	da×s	B	C	E	L	三通块重量 KG	最大工 作压力 Kg/cm ²	
1/2"	SFV	301-	3000	301-	60	38.1	17.50	70	1.80	345
		601-	6000	601-	60	40.49	18.24	70	1.80	414
3/4"	SFV	302-	3000	320-	70	47.63	22.26	80	2.60	345
		602-	6000	602-	80	50.8	23.80	90	3.20	414
1"	SFV	303-	3000	303-	80	52.37	26.16	90	3.80	345
		603-	6000	603-	90	57.17	27.78	100	5.50	414
1-1/4"	SFV	304-	3000	304-	90	58.72	30.18	100	5.30	276
		604-	6000	604-	100	66.68	31.76	110	7.20	414
1-1/2"	SFV	305-	3000	305-	100	69.85	35.72	110	6.80	207
		605-	6000	605-	120	79.38	36.52	120	11.50	414
2"	SFV	306-	3000	306-	110	77.77	42.88	120	8.30	207
		606-	6000	606-	140	96.82	44.46	140	17.30	414



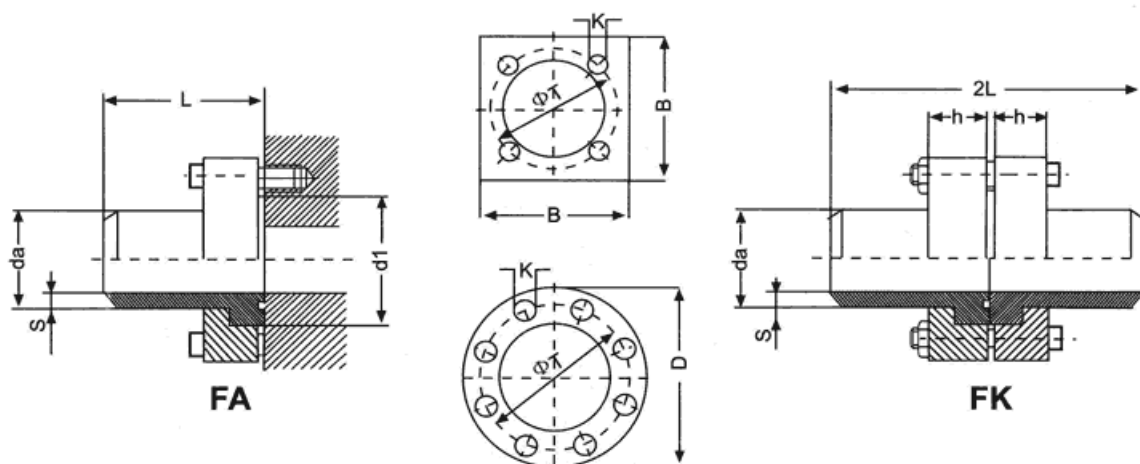
编号 TYPE	da×s	B	D	h	T	d1	K	L	螺栓 Bolt	O 型圈 O ring	重量 Kg
FA FK 32-0	42.4×3	80	-	24	72	55	13	64	M12×40 M12×65	37.70×3.53	1.40 2.65
FA FK 40-0	48.3×3	90	-	29	80	60	17	68	M16×55 M16×80	42.50×3.53	2.00 4.00
FA FK 50-0	60.3×4.5	100	-	38	98	76	17	80	M16×60 M16×100	58.00×3.53	3.10 6.00
FA FK 65-0	76.1×3.6	120	-	48	118	92	21	98	M20×75 M20×120	75.00×5.33	5.50 10.60
FA FK 80-0	88.9×4	150	-	48	145	110	25	109	M24×80 M24×130	88.60×5.7	9.50 18.00
FA FK 90-0	101.6×7.1	180	-	58	175	135	32	135	M30×90 M30×150	88.60×5.7	17.00 33.00
FA FK 100-0	114.3×3.6 114.3×7.1	180	-	58	175	135	32	135	M30×90 M30×150	108.60×5.7	17.00 33.00
FA FK 125-0	139.7×8 139.7×10	-	245	68	200	168	25	150	M24×100 M24×170	128.60×5.7	29.00 57.00
FA FK 150-0	168.3×6 168.3×10	-	300	79	245	205	32	190	M30×110 M30×200	170.00×7 160.00×7	48.50 95.50



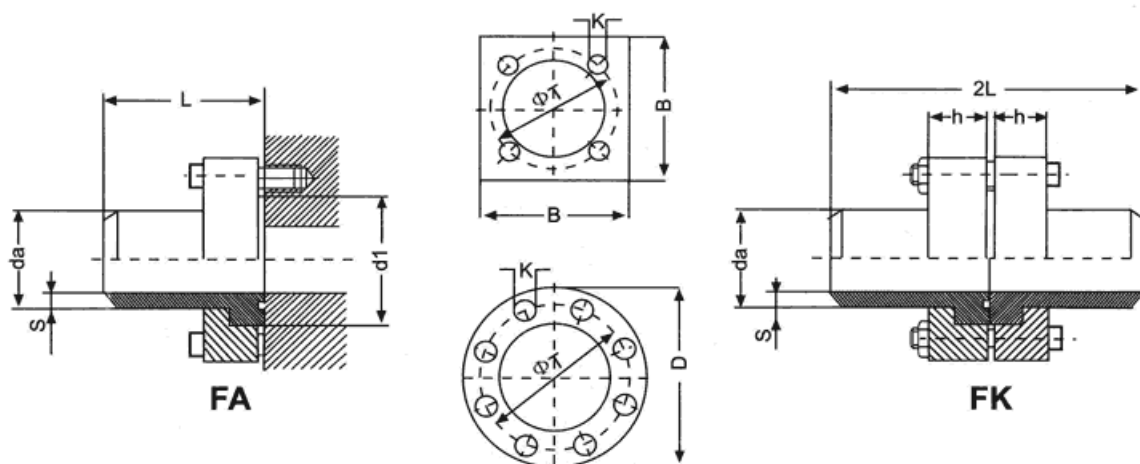
编号 TYPE	da×s	B	D	h	T	d1	K	L	螺栓 Bolt	O 型圈 O ring	重量 Kg
FA FK 12-2	16×2	50	-	19	44	28	11	43	M10×35 M10×55	16.00×2.65	0.43 0.83
FA FK 16-2	20×2.5	60	-	19	54	38	11	50	M10×35 M10×55	25.00×2.65	0.62 1.20
FA FK 20-2	25×3	60	-	19	54	38	11	50	M10×35 M10×55	25.00×2.65	0.62 1.20
FA FK 25-2	30×4	70	-	19	64	46	13	56	M12×35 M12×55	30.00×2.65	0.90 1.75
FA FK 32-2	38×5	80	-	24	72	55	13	64	M12×40 M12×65	37.70×3.53	1.40 2.65
FA FK 40-2	48.3×4 48.3×6	90	-	29	80	60	17	68	M16×55 M16×80	42.50×3.53	2.10 4.00
FA FK 50-2	60.3×5 60.3×6.3	100	-	38	98	76	17	80	M16×60 M16×100	53.30×5.33	3.10 6.00
FA FK 65-2	76.1×3.6 76.1×7.1	120	-	48	118	92	21	98	M20×75 M20×120	61.50×5.33	5.50 10.60
FA FK 80-2	101.6×8.8 101.6×10	180	-	58	175	135	32	109	M30×90 M30×150	88.60×5.7	17.00 33.00
FA FK 100-2	114.3×10 114.3×12.5	180	-	58	175	135	32	135	M30×90 M30×150	103.60×5.7	17.00 33.00
FA FK 125-2	152.4×12.5 152.4×16	-	245	68	200	168	25	150	M24×100 M24×170	128.60×5.7	29.00 57.00
FA FK 150-2	177.8×17.5	-	300	79	245	205	32	190	M30×110 M30×200	160.00×7	48.50 95.50



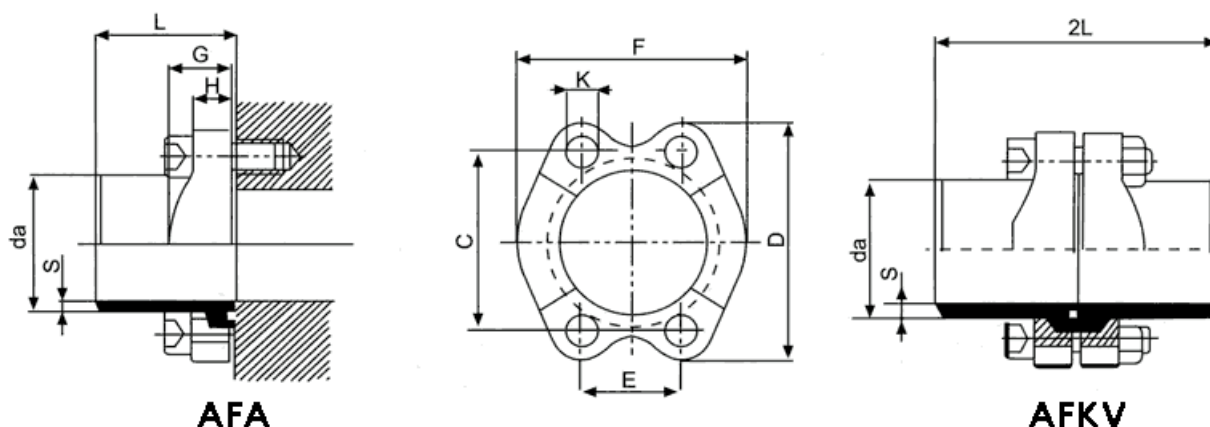
编号 TYPE	da×s	B	D	h	T	d1	K	L	螺栓 Bolt	O 型圈 O ring	重量 Kg
FA FK 10-3	16×3	50	-	19	44	28	11	43	M10×35 M10×55	16.00×2.65	0.43 0.83
FA FK 12-3	20×3	60	-	19	54	38	11	50	M10×35 M10×55	25.00×2.65	0.62 1.20
FA FK 16-3	21.3×2.6 21.3×3.6	60	-	19	54	38	11	50	M10×35 M10×55	25.00×2.65	0.62 1.20
FA FK 20-3	26.9×3.6	70	-	19	64	46	13	56	M12×35 M12×55	30.00×2.65	0.90 1.75
FA FK 25-3	33.7×4.5	80	-	24	72	55	13	64	M12×40 M12×65	37.70×3.53	1.40 2.65
FA FK 32-3	42.4×5.5	90	-	29	80	60	17	68	M16×55 M16×80	42.50×3.53	2.10 4.00
FA FK 40-3	60.3×8	100	-	38	98	76	17	80	M16×60 M16×100	53.30×5.33	3.10 6.00
FA FK 50-3	76.1×10	120	-	48	118	92	21	98	M20×75 M20×120	61.50×5.33	5.50 10.60
FA FK 65-3	88.9×11	150	-	48	145	110	25	109	M24×80 M24×130	78.60×5.7	17.00 33.00
FA FK 80-3	101.6×12.5 101.6×14.2	180	-	59	175	135	32	135	M30×90 M30×150	88.60×5.7	17.00 33.00
FA FK 100-3	139.7×17.5 139.7×20	-	245	69	200	168	25	150	M24×100 M24×170	113.60×5.7	29.00 57.00
FA FK 125-3	168.3×20 168.3×22	-	300	79	245	205	32	190	M30×110 M30×200	145.00×7	48.50 95.50
FA FK 150-3	193.7×25	-	355	88	290	245	38	200	M36×130 M36×220	145.00×7	58.00 112.00



编号 TYPE	da×s	B	D	H	T	d1	K	L	螺栓 Bolt	O 型圈 O ring	重量 Kg
FA FK 10-4	17.2×3.6	50	-	19	44	28	11	43	M10×35 M10×55	16.00×2.65	0.43 0.83
FA FK 12-4	20×4 21.3×3.6	60	-	19	54	38	11	50	M10×35 M10×55	25.00×2.65	0.62 1.20
FA FK 16-4	26.9×4.5	60	-	19	54	38	11	50	M10×35 M10×55	25.00×2.65	0.62 1.20
FA FK 20-4	33.7×5.6	70	-	19	64	46	13	56	M12×35 M12×55	30.00×2.65	0.90 1.75
FA FK 25-4	42.4×7.1	80	-	24	72	55	13	64	M12×40 M12×65	37.70×3.53	1.40 2.65
FA FK 32-4	48.3×8	90	-	29	80	60	17	68	M16×55 M16×80	42.50×3.53	2.10 4.00
FA FK 40-4	60.3×10	100	-	38	98	76	17	80	M16×60 M16×100	53.30×5.33	3.10 6.00
FA FK 50-4	76.1×12.5	120	-	48	118	92	21	98	M20×75 M20×120	61.50×5.33	5.50 10.60
FA FK 65-4	88.9×14.2	150	-	48	145	110	25	109	M24×80 M24×130	78.60×5.7	9.50 18.00
FA FK 70-4	101.6×16	180	-	59	175	135	32	135	M30×90 M30×150	88.60×5.7	17.00 33.00
FA FK 80-4	114.3×17.5 114.3×20	180	-	59	175	135	32	135	M30×90 M30×150	88.60×5.7	17.00 33.00
FA FK 100-4	139.7×22.2 152.4×28	-	245	69	200	168	25	150	M24×100 M24×170	113.60×5.7	29.00 57.00
FA FK 125-4	177.8×30	-	300	79	245	205	32	190	M30×110 M30×200	145.00×7	48.50 59.50
FA FK 150-4	193.7×30 219.1×38	-	355	88	290	245	38	200	M36×130 M36×220	145.00×7	58.00 112.00



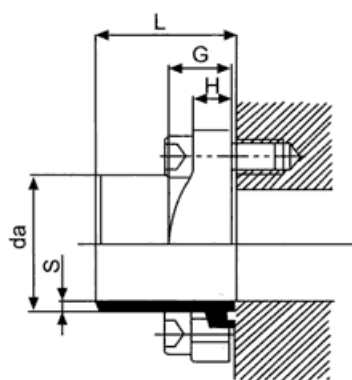
编号 TYPE	da×s	B	D	H	T	d1	K	L	螺栓 Bolt	O 型圈 O ring	重量 Kg
FA FK	32-5 48.3×8.8	100	-	38	98	76	17	80	M16×60 M16×100	53.30×5.33	3.10 6.00
FA FK	40-5 60.3×11	120	-	48	118	92	21	98	M20×75 M20×120	61.50×5.33	5.50 10.60
FA FK	50-5 76.1×14.2	150	-	48	145	110	25	109	M24×80 M24×130	78.60×5.7	9.50 18.00
FA FK	65-5 101.6×20	180	-	59	175	135	32	135	M30×90 M30×150	88.60×5.7	17.00 33.00
FA FK	80-5 133×25	-	245	69	200	168	25	150	M24×100 M24×170	113.60×5.7	29.00 57.00
FA FK	100-5 152.4×30	-	300	79	245	205	32	190	M30×110 M30×200	145.00×7	48.50 59.50
FA FK	125-5 219.1×45	-	390	88	315	273	38	200	M36×130 M36×220	145.00×7	68.00 128.00



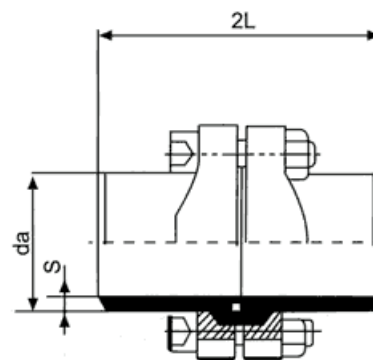
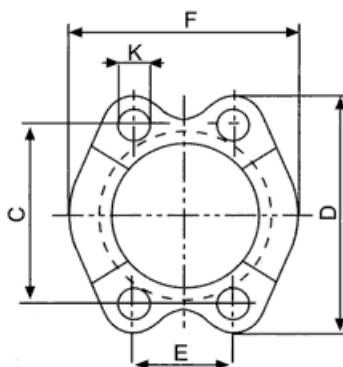
AFA

AFKV

Normal Flange Size.	编号 Type	尺寸 Measurement							配用附件 Accessories		单重 kg	最大工作压力 Kg/cm ²	
		da×s	C	D	E	F	L	K	螺栓 Bolt	O 型圈 O ring			
inch	3000PSI (CODE61) SAE - welding head – coupling												
1/2"	AFA8-3 AFKV8-3	16×3 20×3	20×3 22×4.5	38.10	54	17.50	46	30	8.5	M8x25 M8x40	18.66x3.53	0.28 0.52	345
3/4"	AFA12-3 AFKV12-3	20×3 25×4 26.9×3.6	22×3 28×4.5 30×5	47.63	65	22.26	51.8	35	10.5	M10x30 M10x45	25.00x3.53	0.44 0.85	345
1"	AFA16-3 AFKV16-3	25×3 30×4 35×5	28×3 33.7×4 38×5	52.37	70	26.16	58.4	40	10.5	M10x30 M10x50	32.92x3.53	0.56 1.10	345
1-1/4"	AFA20-3 AFKV20-3	30×4 38×4 42.4×4	34×5 38×6 43×6	58.72	79	30.18	72.6	45	10.5	M10x30 M10x50	37.70x3.53	0.72 1.40	276
1-1/2"	AFA24-3 AFKV24-3	38×4 48.3×3.6 50×6	42.4×4 48.3×5	69.85	94	35.72	82.2	50	13.3	M12x35 M12x55	47.22x3.53	0.92 1.80	207
2"	AFA32-3 AFKV32-3	42.4×4 50×6 60.3×4 60.3×8	48.3×5 57×3.5 60.3×5.6 62×7.5	77.77	102	42.88	96.4	60	13.3	M12x35 M12x55	56.75x3.53	1.30 2.50	207
2-1/2"	AFA40-3 AFKV40-3	76.1×4 76.1×5.5	76.1×7.1	88.90	114	50.80	108	70	13.3	M12x40 M12x55	69.45x3.53	1.80 3.50	172
3"	AFA48-3 AFKV48-3	76.1×4 89×4 90×10	76.1×7.1 89×8	106.38	135	61.92	130.6	70	17	M16x45 M16x70	85.32x3.53	2.60 5.10	138
3-1/2"	AFA32-3 AFKV32-3	76.1×4 101.6×7.1	89×4	120.65	152	69.84	139	80	17	M16x45 M16x70	98.02x3.53	3.00 5.80	34
4"	AFA40-3 AFKV40-3	89×5 114.3×6	114.3×4 114.3×8	130.18	162	77.76	152	80	17	M16x50 M16x75	110.72x3.53	3.50 6.70	34
5"	AFA48-3 AFKV48-3	133×4 140×10	140×4	152.40	184	92.08	180	80	17	M16x50 M16x80	136.12x3.53	4.50 8.60	34

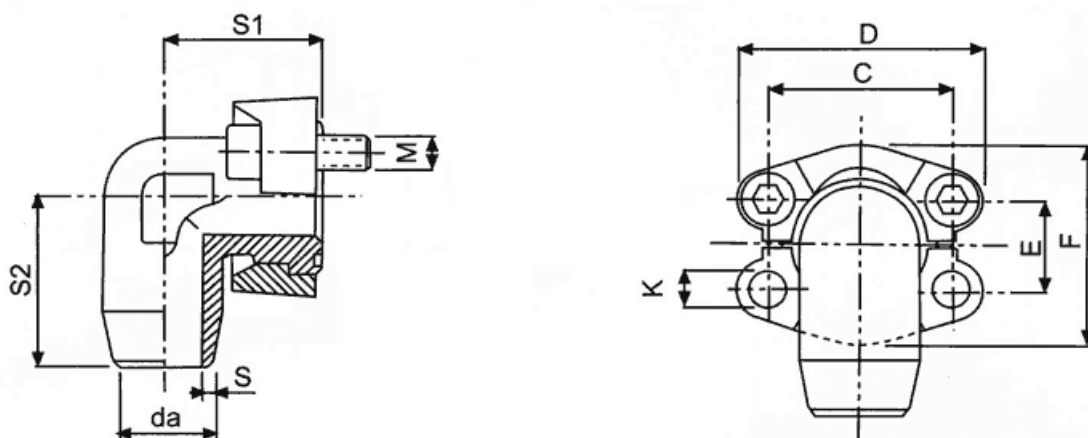


AFA



AFKV

Normal Flange Size.	编号 Type	尺寸 Measurement								配用附件 Accessories		单重 kg	最大工作压力 Kg/cm ²
		da×s	C	D	E	F	L	K	螺栓 Bolt	O型圈 O ring			
inch	6000PSI (CODE62) SAE - welding head – coupling												
1/2"	AFA8-6 AFKV8-6	16×3 20×3	18×4 22×4.5	40.49	56	18.24	47.2	40	8.5	M8x30 M8x45	18.66x3.53	0.35 0.67	414
3/4"	AFA12-6 AFKV12-6	20×3 25×4 28×5	22×4 26.9×5.6 35×6.5	50.80	71	23.80	60	45	10.5	M10x35 M10x55	25.00x3.53	0.68 1.30	414
1"	AFA16-6 AFKV16-6	25×4 33.7×7.1 38×5	30×5 35×5	57.17	81	27.78	69.6	50	12.6	M12x45 M12x65	32.92x3.53	1.06 2.00	414
1-1/4"	AFA20-6 AFKV20-6	30×5 42.4×6 44×7.5	38×6 42.4×8	66.68	95	31.76	77.2	55	13.3	M14x50 M14x75	37.70x3.53	1.58 3.00	414
1-1/2"	AFA24-6 AFKV24-6	38×6 48.3×8 50×6	48.3×6 48.3×8.8 51×8	79.38	113	36.52	95	60	17	M16x55 M16x85	47.22x3.53	2.50 4.80	414
2"	AFA32-6 AFKV32-6	48.3×6 60.3×6.3 60.3×10 63×10	57×6 60.3×8 61×9 65×11	96.82	133	44.46	113.8	70	21	M20x70 M20x100	56.75x3.53	4.30 8.20	414
2-1/2"	AFA40-6 AFKV40-6	76.1×12.5 89×11	89×14.2	123.80	180	58.80	150	80	25	M24x80 M24x130	75.00x5.33	8.50 16.50	414
3"	AFA48-6 AFKV48-6	89×14.2 108×12.5 114.3×17.5	114.3×14.2 114.3×20	152.40	215	71.60	198	100	31.5	M30x90 M30x150	88.60x5.7 98.60x5.7	16.80 32.80	414



Normal Flange Size.	编号 Type	尺寸 Measurement									配用附件 Accessories		单重 kg	最大工作压力 Kg/cm ²
		da×s		C	D	E	F	S1	S2	K	螺栓 Bolt	O 形圈 O ring		
inch	3000PSI (CODE61) SAE-90° weld on flange adapter for metric pipes													
1/2"	8NLW3-O	20×2.5 22×3	21.3×2.9	38.10	54	17.50	46	36	40	8.5	M8x25	18.66x3.53	0.40	345
3/4"	12NLW3-O	22×3 26.9×3.6	25×3	47.63	65	22.26	51.8	43	46	10.5	M10x30	25.00x3.53	0.60	345
1"	16NLW3-O	30×4 35×4	33.7×3.6	52.37	70	26.16	58.4	48	54	10.5	M10x30	32.92x3.53	0.80	345
1-1/4"	20NLW3-O	38×3 42.4×4		58.72	79	30.18	72.6	53	65	10.5	M10x35	37.70x3.53	1.20	250
1-1/2"	24NLW3-O	42.4×4 48.3×5		69.85	94	35.72	82.2	58	68	13.3	M12x35	47.22x3.53	1.60	200
6000PSI (CODE62) SAE-90° weld on flange adapter for metric pipes														
1/2"	8NLW6-O	16×3 22×3	20×3	40.49	56	18.24	47.2	39	40	8.5	M8x30	18.66x3.53	0.47	400
3/4"	12NLW6-O	25.0×4 28×5	26.9×5.6	50.80	71	23.80	60	48	50	10.5	M10x35	25.00x3.53	0.90	400
1"	16NLW6-O	30×5 35×5	33.7×7.1	57.15	81	27.78	69.6	60	60	12.6	M12x45	32.92x3.53	1.50	315
1-1/4"	20NLW6-O	38×6 42.4×6		66.68	95	31.76	77.2	68	66	14.6	M14x50	37.70x3.53	2.20	315
1-1/2"	24NLW6-O	38×6 48.3×8		79.38	113	36.52	95	76	75	17	M16x55	47.22x3.53	3.30	315

